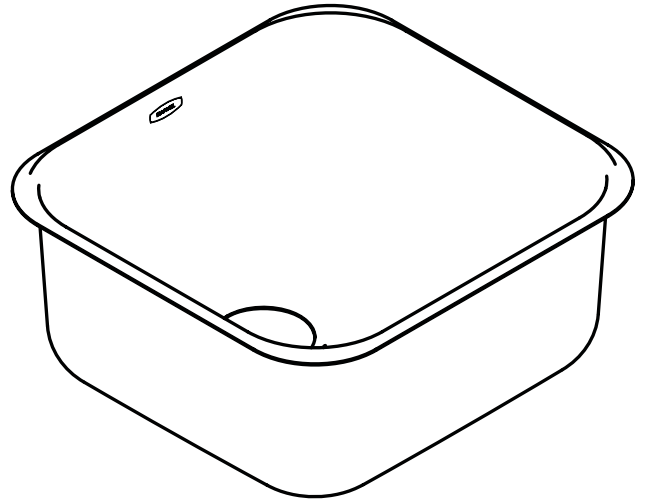


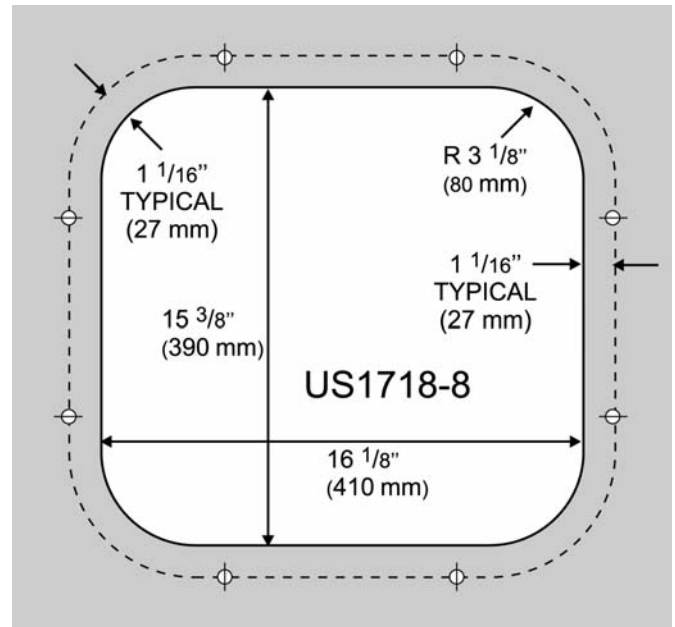
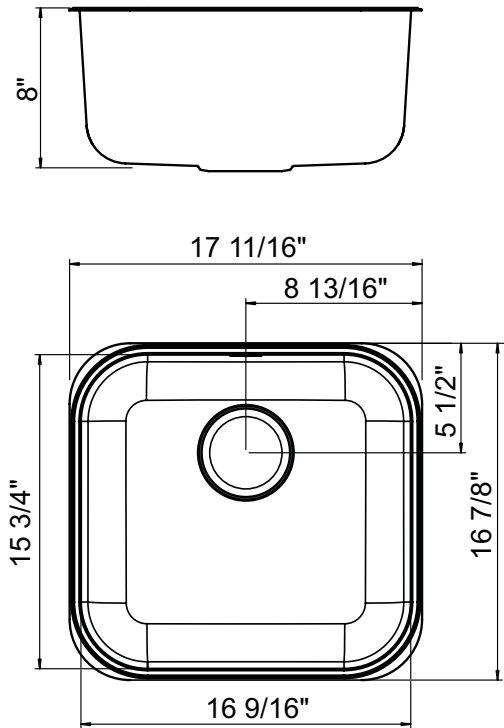
- 18 gauge 18/10 stainless steel
- Undermount
- High performance sound deadening material
- Limited lifetime owner warranty
- Includes strainer basket and drain kit (3 1/2")
- *Optional Accessories:*
KA61M Stainless Steel Sink Grid



KA08M Universal Wooden Chopping Board



MODEL NO.	OVERALL SIZE (LxWxD)	MAIN BOWL SIZE (LxWxD)	SECOND BOWL SIZE (LxWxD)	HANDED	FAUCET HOLES	MINIMUM CABINET WIDTH REQUIRED	CUTOUT DIMENSION
US1718-8	16 7/8" x 17 11/16" x 8"	15 3/4" x 16 9/16" x 8"	N/A	N/A	N/A	21"	Refer to template



www.lifeluxurymarvel.com

Marvel Industries

P.O. Box 997
Richmond, IN
47375-0997
800.428.6644
765.962.2493 fax
An AGA Company

Job Name: _____ Customer: _____

Date: _____ Designer: _____

Quantity: _____ Contractor: _____