
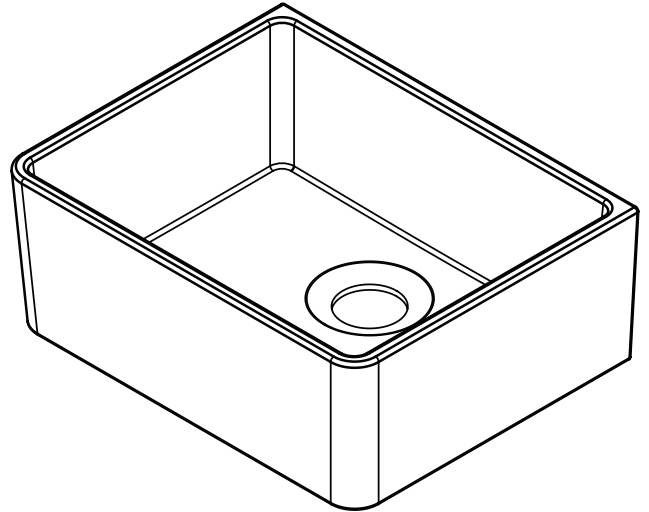


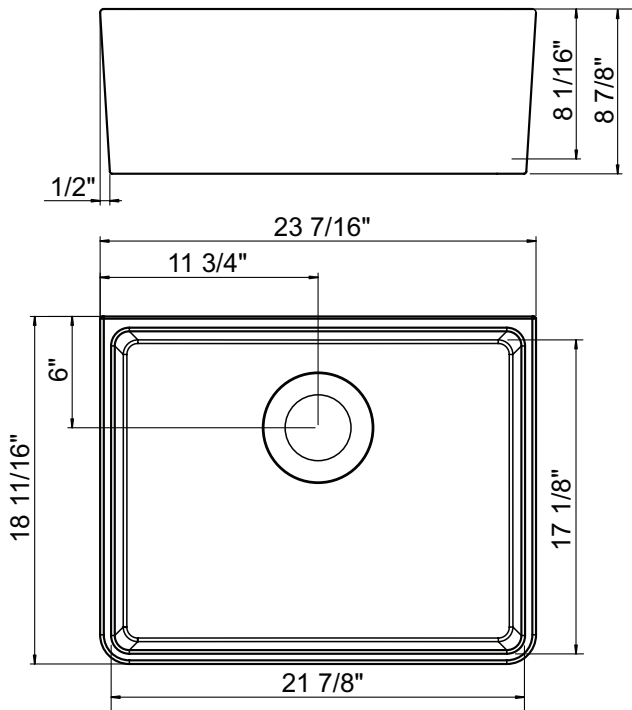
- Traditional farmhouse styling
- Apron front
- Durable ceramic
- Gloss finish
- Limited lifetime owner warranty
- Includes strainer basket and drain kit (3 1/2")

-  Accessories included

KA67M Stainless Steel Sink Grid



MODEL NO.	OVERALL SIZE (L×W×D)	MAIN BOWL SIZE (L×W×D)	SECOND BOWL SIZE (L×W×D)	HANDED	FAUCET HOLES	MINIMUM CABINET WIDTH REQUIRED	CUTOUT DIMENSION
FS1923-8	18 11/16" × 23 7/16" × 8 7/8"	17 1/8" × 21 7/8" × 8 1/16"	N/A	Yes	N/A	24"	N/A



All specifications and product design subject to change without notice.



[www.lifeluxurymarvel.com](http://www.lifeluxurymarvel.com)

**Marvel Industries**

P.O. Box 997  
Richmond, IN  
47375-0997  
800.428.6644  
765.962.2493 fax  
An AGA Company

Job Name: \_\_\_\_\_ Customer: \_\_\_\_\_

Date: \_\_\_\_\_ Designer: \_\_\_\_\_

Quantity: \_\_\_\_\_ Contractor: \_\_\_\_\_