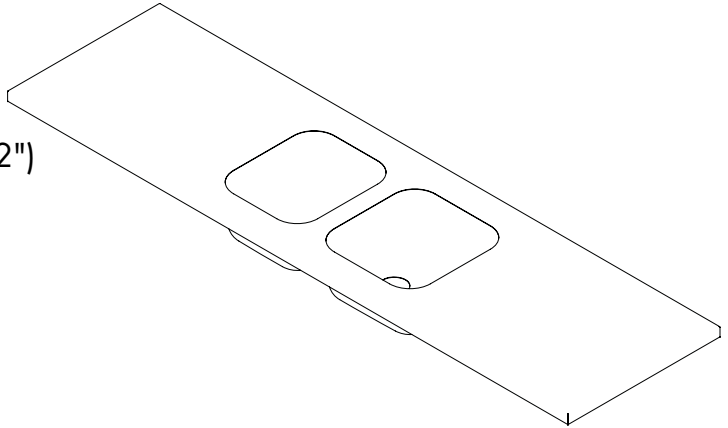



- Flushmount to create 1 1/2" thick worktop
- 18 gauge 18/10 stainless steel
- High performance sound deadening material
- Brushed finish top with polished bowls
- Limited lifetime owner warranty
- Includes one strainer basket and drain kit (3 1/2")



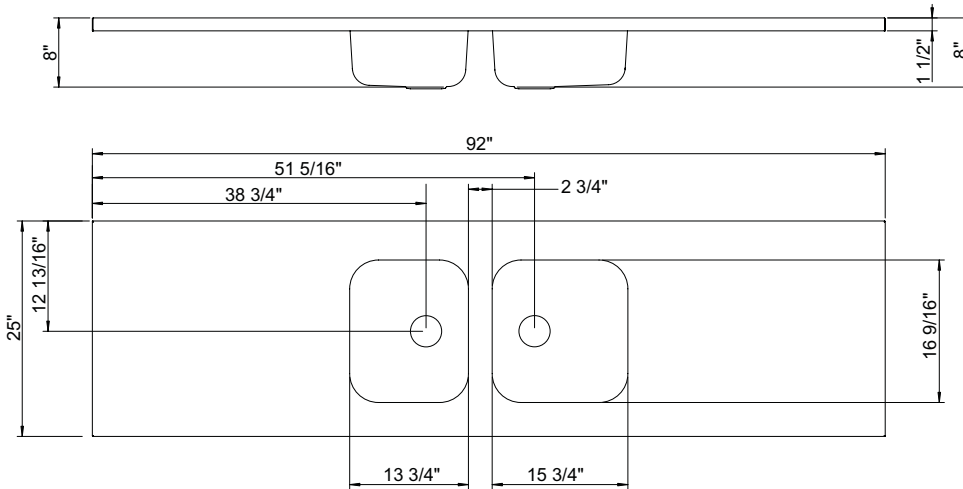
-  Accessories included

KA61M (main bowl)  
Stainless Steel Sink Grid



MODEL NO.	OVERALL SIZE (LxWxD)	MAIN BOWL SIZE (LxWxD)	SECOND BOWL SIZE (LxWxD)	HANDED	FAUCET HOLES	MINIMUM CABINET WIDTH REQUIRED	CUTOUT DIMENSION
BD2592-8	25" x 92" x 8"	16 9/16" x 15 3/4" x 8"	16 9/16" x 13 3/4" x 8"	N/A	Factory drilled to spec*	42"	N/A

\* For hole drilling specifications, request sheet No. 06-0251-25



- *Optional Accessories:*  
KA37M (second bowl)  
Stainless Steel Dish Draining Basket



- KA38M (main bowl)  
Stainless Steel Dish Draining Basket



[www.lifeluxurymarvel.com](http://www.lifeluxurymarvel.com)

**Marvel Industries**

P.O. Box 997  
Richmond, IN  
47375-0997

800.428.6644  
765.962.2493 fax

An AGA Company

06-0251-12Rev.A

Job Name: \_\_\_\_\_ Customer: \_\_\_\_\_

Date: \_\_\_\_\_ Designer: \_\_\_\_\_

Quantity: \_\_\_\_\_ Contractor: \_\_\_\_\_