



80RD  
OVERLAY SOLID DOOR PANEL  
INSTALLATION INSTRUCTIONS

READ BEFORE INSTALLATION

P/N 41009151  
REV. B

Marvel Industries  
P.O. Box 997  
Richmond, IN  
47375-0997

800.428.6644  
765.962.2493 *fax*

An AGA Company

# FULL OVERLAY PANEL INSTALLATION INSTRUCTIONS

## STEP 1: WOOD SCREWS REQUIRED

1. A #8 PAN HEAD WOOD SCREW SHOULD BE USED TO PROPERLY SECURE THE OVERLAY PANEL. A TOTAL OF 10 SCREWS WILL BE NEEDED.
2. USE ONLY PAN HEAD SCREWS
3. DO NOT SELECT A SCREW THAT IS LONGER THAN THE WOOD THICKNESS AT THE SCREW LOCATIONS.
4. USE RECOMMENDED PILOT HOLES FOR THE FRAME MATERIAL (SEE CHART BELOW)

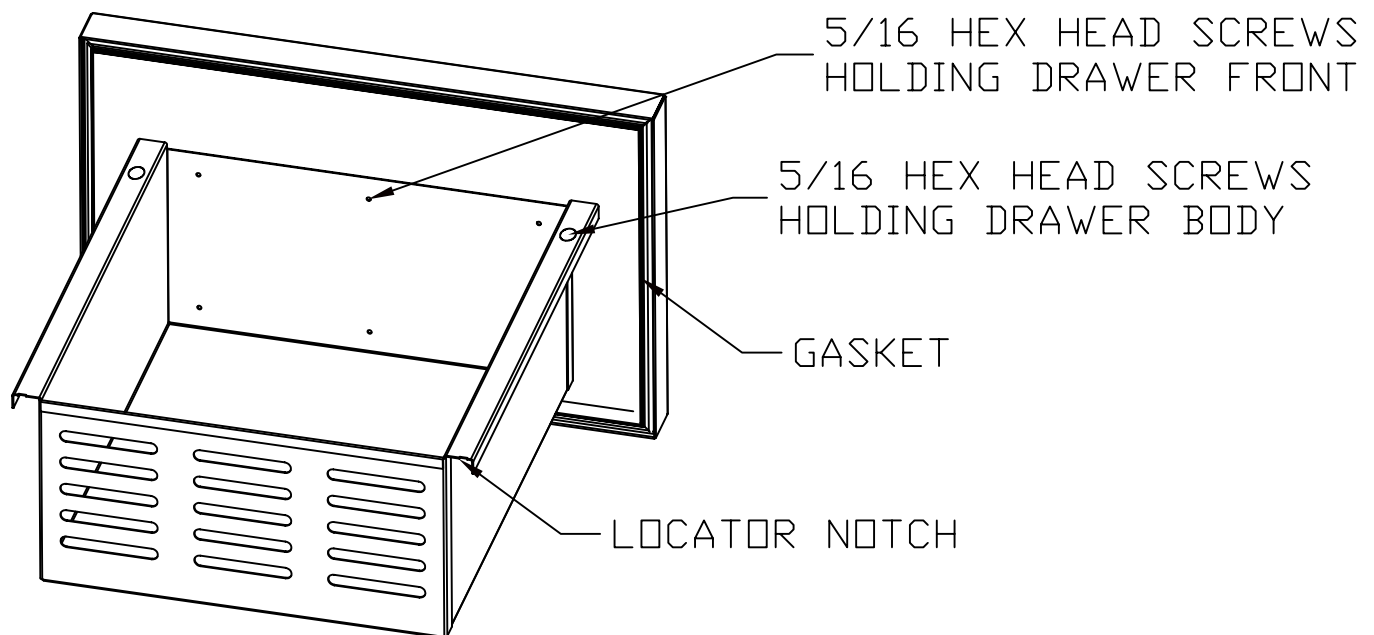
### PILOT HOLE DRILL SIZES FOR WOOD SCREW

WORK MATERIAL	WOOD SCREW SIZE
	8
HARDWOOD	3/32
SOFTWOOD	5/64

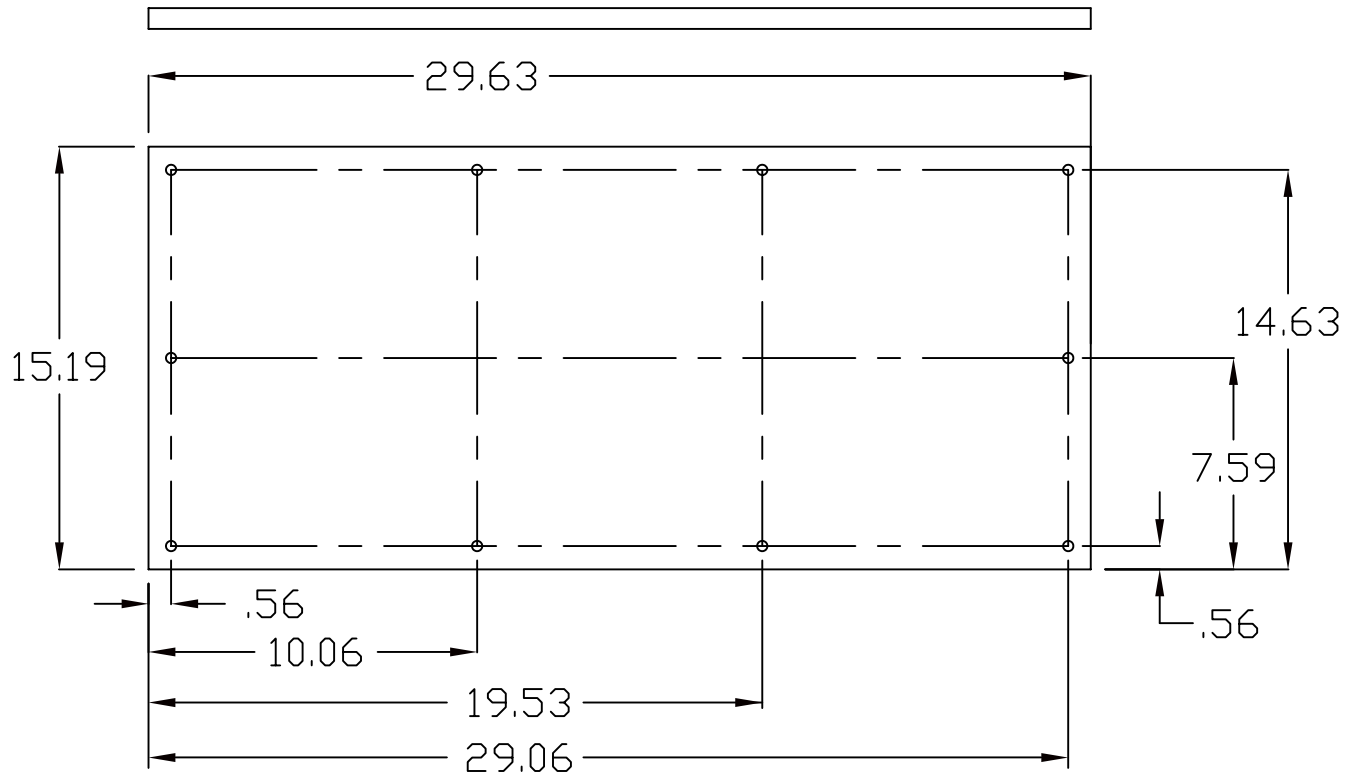
## STEP 2: REMOVE DRAWER FRONTS

(NOTE: THE OVERLAY PANEL MAY BE INSTALLED WITHOUT REMOVING THE DRAWER FRONTS FROM THE DRAWER BODIES, BUT THE FULL DRAWER ASSEMBLY IS NOT AS EASY TO HANDLE AS THE DRAWER FRONT ALONE.)

1. REMOVE DRAWER FROM UNIT. DO THIS BY REMOVING THE 2 HEX HEAD SCREWS SECURING THE DRAWER TO THE DRAWER SLIDES, THEN PULLING THE DRAWER UP AND FORWARD OFF THE SLIDES.
2. REMOVE DRAWER FRONTS. DO THIS BY REMOVING THE 6 HEX HEAD SCREWS AND WASHERS SECURING THE DRAWER FRONT TO THE DRAWER BODY. MARK THE WASHER LOCATIONS BEFORE DISASSEMBLY. THIS WILL SPEED UP THE RE-ALIGNMENT STEP.
3. REMOVE THE GASKET FROM THE DRAWER FRONT. DO THIS BY PULLING THE GASKET OUT OF THE CHANNEL THAT HOLDS IT TO THE DRAWER FRONT. THIS WILL EXPOSE THE CLEARANCE HOLES FOR MOUNTING THE OVERLAY PANEL.



### STEP 3: SIZING THE OVERLAY PANEL



### STEP 4: ATTACHING THE OVERLAY PANEL TO THE DOOR

1. SET OVERLAY PANEL ON DRAWER FRONT FACE AND ALIGN EDGES. CLAMP PANEL IN POSITION AND MARK PILOT HOLE LOCATIONS. SEE STEP 3 FOR NOMINAL SIZE AND HOLE LOCATIONS. DRILL PILOT HOLES (REMOVE PANEL IF NECESSARY, RE-ALIGN AND RE-CLAMP OVERLAY TO DRAWER FACE).
2. INSERT WOOD SCREWS THROUGH CLEARANCE HOLES AND TIGHTEN TO SECURE OVERLAY PANEL.
3. REINSTALL GASKET INTO CHANNEL. MAKE SURE THE CORNERS ARE INSERTED FULLY.

### STEP 5: REATTACH DRAWER FRONT TO DRAWER BODY

1. ALIGN MOUNTING HOLES ON DRAWER BODY WITH MOUNTING HOLES ON DRAWER FRONT. REINSTALL HEX HEAD SCREWS AND WASHERS. SNUG DOWN, BUT DO NOT TIGHTEN FULLY, FINAL ADJUSTMENT OF DRAWER FRONT WILL BE DONE AFTER REINSTALLING THE DRAWER.

### STEP 6: REINSTALL DRAWER

1. FULLY EXTEND DRAWER SLIDES AND PLACE DRAWER ON SLIDES.
2. SLIDE THE LOCATOR NOTCHES AT THE BACK OF DRAWER SIDE FLANGES UNDERNEATH THE GRIPPER TABS AT THE REAR OF THE SLIDES. YOU WILL NEED TO HOLD THE SLIDE IN PLACE TO DO THIS.
3. REINSTALL AND TIGHTEN HEX HEAD SCREWS AT FRONT OF DRAWER SIDE FLANGE.

### STEP 7: ADJUST DRAWER FRONT

1. ADJUST DRAWER FRONT TO ACHIEVE A 1/8" GAP FROM THE TOP OF THE DRAWER FRONT TO THE TOP OF THE CABINET OR (FOR BOTTOM DRAWERS) 1/8" FROM THE TOP OF THE DRAWER FRONT TO THE BOTTOM OF THE TOP DRAWER, THE DRAWER FRONT SHOULD BE CENTERED BETWEEN THE CABINET EDGES.
2. FULLY TIGHTEN HEX HEAD SCREWS.

