

This Data Sheet Includes Information On

Marvel

• **Product Model Number (s):** •

Chateau Collection Wine Cellar
without door (door ordered separately)
6SWCE-BN

• **Dimensions (Actual Size)** •

- Depth NOT including door: 22"
- Height at full leg adjustment: 35"
- Height at 0" leg adjustment: 34 1/4"
- Height without legs installed: 34"
- Width: 23 7/8"
- Toe Kick height: 3"
- Door swing at 90°: 25 1/2"
- Recommended opening width: 24"
- Recommended opening depth: 24"
- Recommended opening height: 34 1/2"

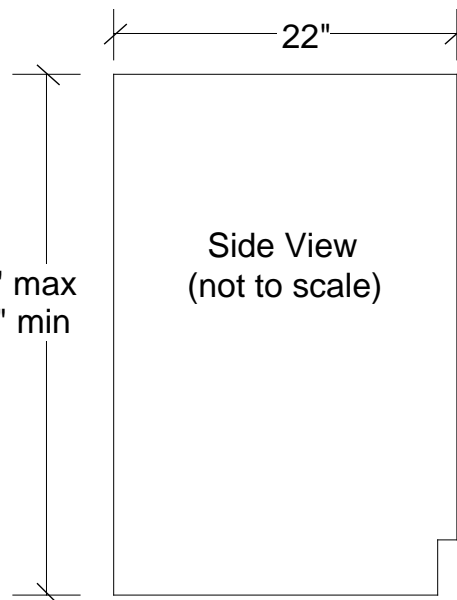
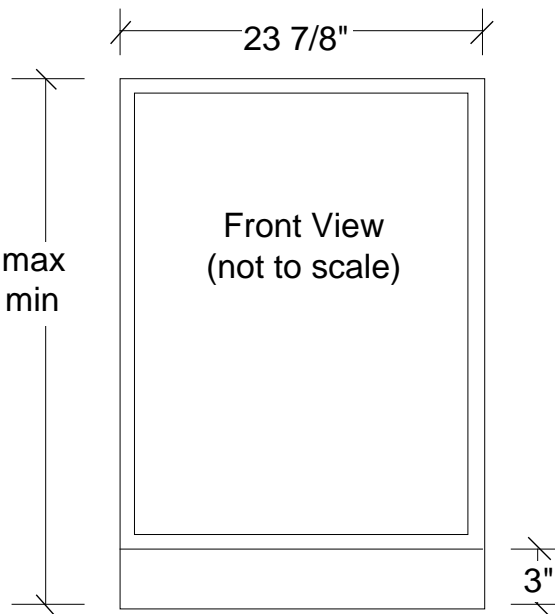
• **Additional Information** •

- Electrical requirements: 120 volts, 3 amps running max. 15 amp circuit required.
- Locate a 3-prong grounded receptacle in one of three locations: 1) On the wall in the adjacent cabinet opening. 2) Flush on the back wall of the refrigerator opening (add 1" to the overall depth of the unit to accommodate the thickness of the plug). 3) Recessed 1" into the back wall of the refrigerator opening.
- Door is reversible in field.
- Door must open a minimum of 90° to allow wine racks to pull out.
- Shipping weight: 130 pounds.
- U.L. Listed.
- 6SWCE-BN: Black cabinet, no door. Door option sold separately.
- All models have shelf fronts of clear, solid maple (unfinished).

See pages 2-3 for additional information

Subject to change without notice. This system is designed to be updated daily if necessary. Dimension Express is not responsible for use of superseded, voided, or outdated data sheets. Because of the difficulty or impracticability of determining actual damages, liability of Dimension Express shall not exceed \$50.00.

Copyright © Dimension Express, 2007.



• NEVER reuse Data Sheets. Data Sheets are subject to change without notice. Dimension Express is a FREE service bureau and is updated daily, it makes far more sense to spend the time necessary to request new Data Sheets for each project, as opposed to the problems, time, costs, and risks associated with reusing old Data Sheets.

• Call Dimension Express if you have any questions at (800) 940-2059 •
• Always refer to a current Code at a Glance or manufacturer directory •
• Data Sheet codes change on the first of each quarter at 12:01am •

BN • A318B149C150 • •070609 • 181251 • 47563

Product Model Number (s):
 Chateau Collection Wine Cellar
 without door (door ordered separately)
 6SWCE-BN

Additional Information:

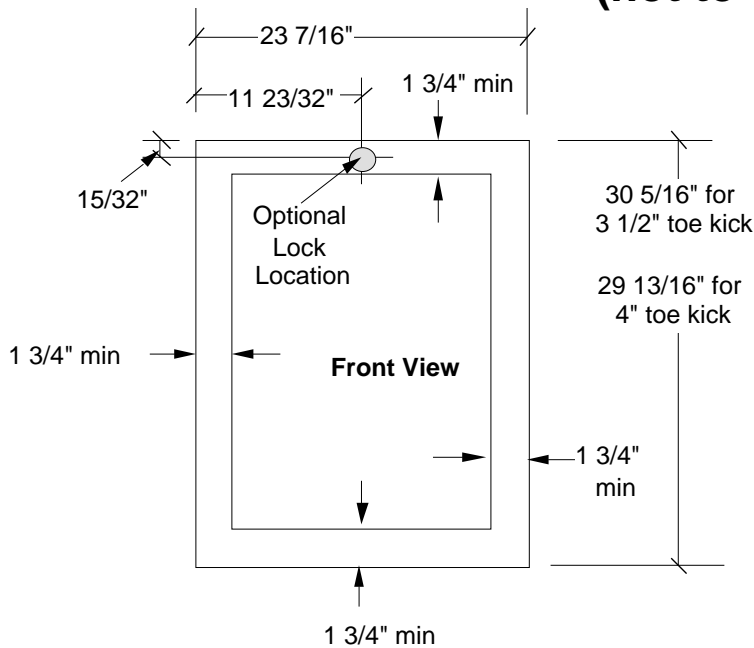
Door options:

- 1) Overlay Glass Door Frame (P/N 42244320, accepts customer supplied wood frame overlay, see below). Add 1 3/8" to depth for door without panel or handle.
- 2) Overlay Solid Door (P/N 42244454 white or 42244519 black. Accepts overlay panel and door pull supplied by customer, see page 3). Add 1 3/8" to depth for door without panel or handle.
- 3) Full Wrap Door (P/N 42244521 black with black liner, 42244520 stainless with black liner, 42244452 white with white liner or 42244451 stainless with white liner). Add 2 1/8" to depth for door and 2 1/8" for professional style bar handle.
- 4) Monochrome Wide Frame Glass Door with Professional style Handle: P/N 42244432 black frame with black handle, 42244433 white frame with white handle or 42244434 stainless frame with stainless handle. Add 2 1/4" to depth for door and 2 1/8" for professional style bar handle.

Accessories:

- Casters: P/N 42244041.
- Shelf front kits in gloss finish white or black and brushed stainless steel.

Custom Overlay Glass Door Frame Dimensions (not to scale)



For doors with locks installed (-LR or -LL included in model number). It will be necessary to drill a hole in the overlay door frame, corresponding to the lock location, prior to assembly. Hole diameter through overlay frame should be 15/32" with a 13/16" counterbore from back side of panel, 7/16" deep.

Min. thickness of rails and stiles: 5/8"
 Max. thickness of rails and stiles: 3/4"

Subject to change without notice. This system is designed to be updated daily if necessary. Dimension Express is not responsible for use of superseded, voided, or outdated data sheets. Because of the difficulty or impracticability of determining actual damages, liability of Dimension Express shall not exceed \$50.00. Copyright © Dimension Express, 2007.

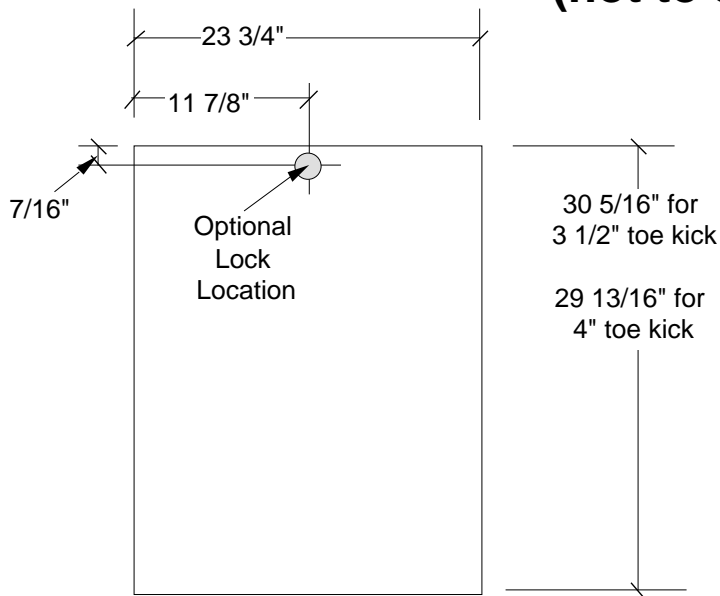
• NEVER reuse Data Sheets. Data Sheets are subject to change without notice. Dimension Express is a FREE service bureau and is updated daily, it makes far more sense to spend the time necessary to request new Data Sheets for each project, as opposed to the problems, time, costs, and risks associated with reusing old Data Sheets.

- Call Dimension Express if you have any questions at (800) 940-2059 •
- Always refer to a current Code at a Glance or manufacturer directory •
- Data Sheet codes change on the first of each quarter at 12:01am •

Chateau Collection Wine Cellar
without door (door ordered separately)
6SWCE-BN

Additional Information:

Custom Overlay Solid Door Dimensions (not to scale)



For doors with locks installed (-LR or -LL included in model number). It will be necessary to drill a hole in the overlay door panel, corresponding to the lock location, prior to assembly. Hole diameter through overlay panel should be $15/32$ " with a $13/16$ " counterbore from back side of panel, $7/16$ " deep.

Min. thickness: $5/8$ "
Max. thickness: $3/4$ "
Max. weight: 20 lbs

Subject to change without notice. This system is designed to be updated daily if necessary. Dimension Express is not responsible for use of superseded, voided, or outdated data sheets. Because of the difficulty or impracticability of determining actual damages, liability of Dimension Express shall not exceed \$50.00. Copyright © Dimension Express, 2007.

150

• NEVER reuse Data Sheets. Data Sheets are subject to change without notice. Dimension Express is a FREE service bureau and is updated daily, it makes far more sense to spend the time necessary to request new Data Sheets for each project, as opposed to the problems, time, costs, and risks associated with reusing old Data Sheets.

• Call Dimension Express if you have any questions at (800) 940-2059 •
• Always refer to a current Code at a Glance or manufacturer directory •
• Data Sheet codes change on the first of each quarter at 12:01am •

BN • A318B149C150 • 070609 • 181251 • 47563