

This Data Sheet Includes Information On

Marvel

• Product Model Number (s): •

Chateau Collection Wine and Beverage Refrigerators with without door (door ordered separately): 6SMOD-6SWC/6SBAR-BN, 6SMOD-6SBAR/6SWC-BN and 6SMOD-6SBAR/6SBAR-BN

• Dimensions (Actual Size) •

- Depth NOT including door: 22"
- Height at full leg adjustment: 69 1/8"
- Height at 0" leg adjustment: 68 3/8"
- Height without legs installed: 68 1/8"
- Width: 24 1/8"
- Toe Kick height: 3"
- Door swing at 90°: 25 1/2"
- Recommended opening width: 24 1/4"
- Recommended opening depth: 24"
- Recommended opening height: 68 3/4"

• Additional Information •

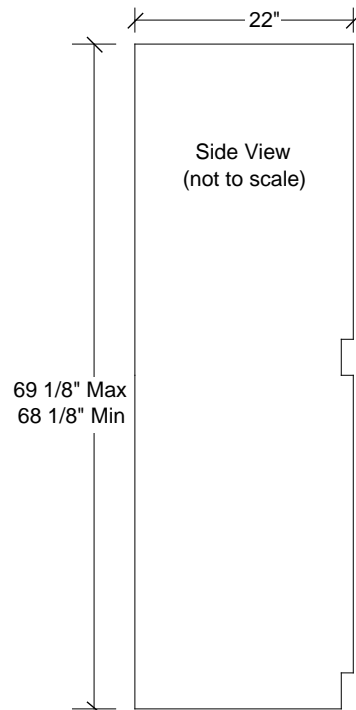
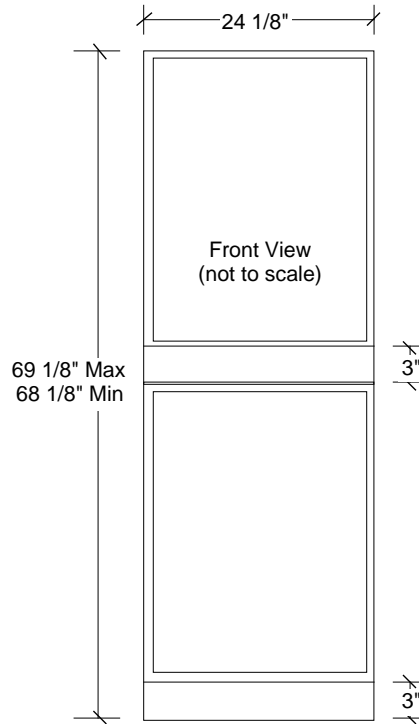
- Electrical requirements: 120 volts, 6 amps running max. 20 amp circuit required.
- Locate a 3-prong grounded receptacle in one of three locations: 1) On the wall in the adjacent cabinet opening. 2) Flush on the back wall of the refrigerator opening (add 1" to the overall depth of the unit to accommodate the thickness of the plug). 3) Recessed 1" into the back wall of the refrigerator opening.
- 6SMOD-6SWC/6SBAR-BN: Wine cellar upper/Beverage refrigerator lower: Black cabinet, no door, with high gloss ebony interior. Door option sold separately.
- 6SMOD-6SBAR/6SWC-BN: Beverage refrigerator upper/Wine cellar lower: Black cabinet, no door, with high gloss ebony interior. Door option sold separately.
- 6SMOD-6SBAR/6SBAR-BN: Beverage refrigerator upper/Beverage refrigerator lower: Black cabinet, no door, with high gloss ebony interior. Door option sold separately.
- All models have shelf fronts of clear, solid maple (unfinished).
- Individual cooling systems and temperature controls for each compartment.
- Controls and digital temperature displays easily in center grille.
- Door is reversible in field.
- Wine racks and beverage shelves may be fully extended at 90° door opening.
- Shipping weight: 356 pounds.
- U.L. Listed.

See pages 2-3 for additional information

Subject to change without notice. This system is designed to be updated daily if necessary. Dimension Express is not responsible for use of superseded, voided, or outdated data sheets. Because of the difficulty or impracticability of determining actual damages, liability of Dimension Express shall not exceed \$50.00.

Copyright © Dimension Express, 2005.

318



• NEVER reuse Data Sheets. Data Sheets are subject to change without notice. Dimension Express is a FREE service bureau and is updated daily, it makes far more sense to spend the time necessary to request new Data Sheets for each project, as opposed to the problems, time, costs, and risks associated with reusing old Data Sheets.

- Call Dimension Express if you have any questions at (775) 833-3633 •
- Always refer to a current Code at a Glance or manufacturer directory •
- Data Sheet codes change on the first of odd numbered months at 12:01am •

BN • A318B149C150 • 051506 • 145249 • 26438

Chateau Collection Wine and Beverage Refrigerators with without door (door ordered separately): 6SMOD-6SWC/6SBAR-BN, 6SMOD-6SBAR/6SWC-BN and 6SMOD-6SBAR/6SBAR-BN

Additional Information:

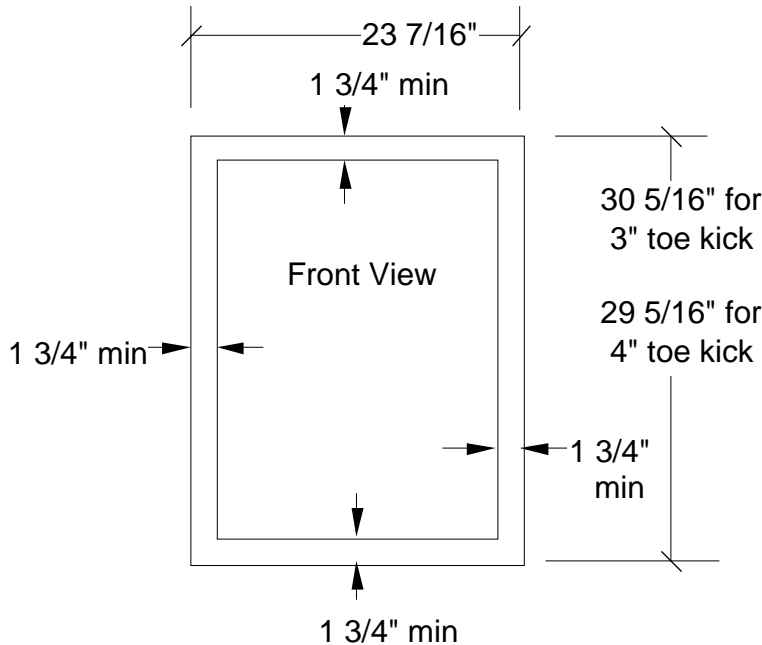
Door options:

- 1) Overlay Glass Door Frame (P/N 42244699, accepts customer supplied wood frame overlay, see below. **REQUIRES 2 DOOR PANELS.**) Add 1 3/8" to depth for door without panel or handle.
- 2) Overlay Solid Door (P/N 42244667 black. Accepts overlay panel and door pull supplied by customer, see page 3. **REQUIRES 2 DOOR PANELS.**) Add 1 3/8" to depth for door without panel or handle.
- 3) Full Wrap Door (P/N 42244670 black with black liner, 42244671 stainless with black liner. Add 2 1/8" to depth for door and 2" for designer full -length bar handle.

Accessories:

- Designer full -length bar handle in stainless steel (P/N 42244405), black (P/N 42245084) or white (P/N 42245085).
- Marvel Shelf Front Kits for Beverage Refrigerator: Prefinished shelf fronts (4).
 - Gloss black: P/N 42245191
 - Gloss white: P/N 42245192
 - Stainless steel: P/N 42245193
 - Natural maple (unfinished): P/N 42245194
- Marvel Shelf Front Kits for Wine Cellar: Prefinished shelf fronts (6) and wine cradle rack (1).
 - Gloss black: P/N 42245058
 - Gloss white: P/N 42245059
 - Stainless steel: P/N 42245060
 - Natural maple (unfinished): P/N 42245061

Custom Overlay Glass Door Frame Dimensions (not to scale)



Min. thickness of rails and stiles: 5/8"
Max. thickness of rails and stiles: 3/4"

Subject to change without notice. This system is designed to be updated daily if necessary. Dimension Express is not responsible for use of superseded, voided, or outdated data sheets. Because of the difficulty or impracticability of determining actual damages, liability of Dimension Express shall not exceed \$50.00. Copyright © Dimension Express, 2005.

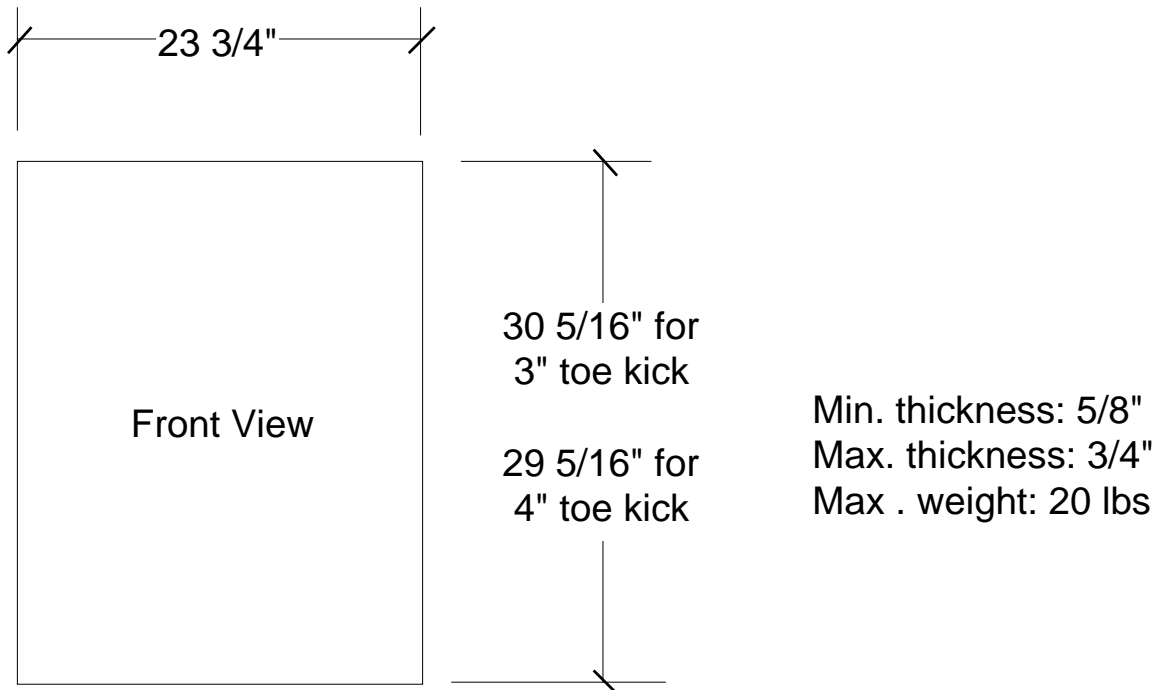
• NEVER reuse Data Sheets. Data Sheets are subject to change without notice. Dimension Express is a FREE service bureau and is updated daily, it makes far more sense to spend the time necessary to request new Data Sheets for each project, as opposed to the problems, time, costs, and risks associated with reusing old Data Sheets.

- Call Dimension Express if you have any questions at (775) 833-3633 •
- Always refer to a current Code at a Glance or manufacturer directory •
- Data Sheet codes change on the first of odd numbered months at 12:01am •

Chateau Collection Wine and Beverage Refrigerators
with without door (door ordered separately):
6SMOD-6SWC/6SBAR-BN, 6SMOD-6SBAR/6SWC-BN
and 6SMOD-6SBAR/6SBAR-BN

Additional Information:

Custom Overlay Solid Door Dimensions (not to scale)



Subject to change without notice. This system is designed to be updated daily if necessary. Dimension Express is not responsible for use of superseded, voided, or outdated data sheets. Because of the difficulty or impracticability of determining actual damages, liability of Dimension Express shall not exceed \$50.00. Copyright © Dimension Express, 2005.

150

• NEVER reuse Data Sheets. Data Sheets are subject to change without notice. Dimension Express is a FREE service bureau and is updated daily, it makes far more sense to spend the time necessary to request new Data Sheets for each project, as opposed to the problems, time, costs, and risks associated with reusing old Data Sheets.

• Call Dimension Express if you have any questions at (775) 833-3633 •
• Always refer to a current Code at a Glance or manufacturer directory •
• Data Sheet codes change on the first of odd numbered months at 12:01am •

BN • A318B149C150 • • 051506 • 145249 • 26438