

This Data Sheet Includes Information On

Marvel

• Product Model Number (s): •

Refrigerators:
60RD-BB-O and 60RD-WW-O

• Dimensions (Actual Size) •

- Overall depth NOT including custom panel: 23 3/8"
- Depth NOT including drawer front: 22"
- Height at full leg adjustment: 35"
- Height at 0" leg adjustment: 34 1/4"
- Height without legs installed: 34"
- Width: 23 7/8"
- Toe Kick height: 3"
- Door swing at 90°: 28"
- Recommended opening width: 24"
- Recommended minimum opening depth: 24"
- Recommended opening height: 34 1/2"

• Additional Information •

- Electrical requirements: 120 volts, 3 amps running max. 15 amp circuit required.
- Locate a 3-prong grounded receptacle in one of three locations: 1) On the wall in the adjacent cabinet opening. 2) Flush on the back wall of the refrigerator opening (add 1" to the overall depth of the unit to accommodate the thickness of the plug). 3) Recessed 1" into the back wall of the refrigerator opening.
- Shipping weight: 170 pounds.
- U.L. Listed.
- MUST be anchored to prevent tipping forward with drawers extended.
- Requires two (2) custom overlay panels, see page 2.
- 60RD-BB-O : Black cabinet, black drawer front.
- 60RD-WW-O : White cabinet, white drawer front.

Accessories:

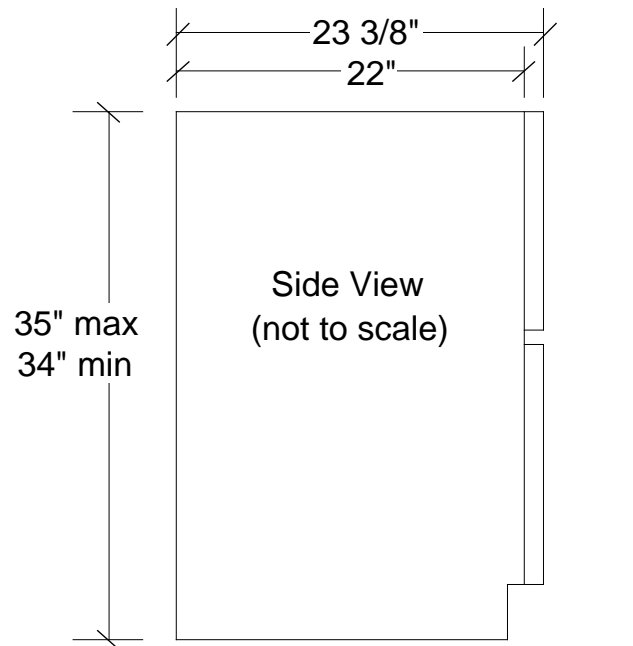
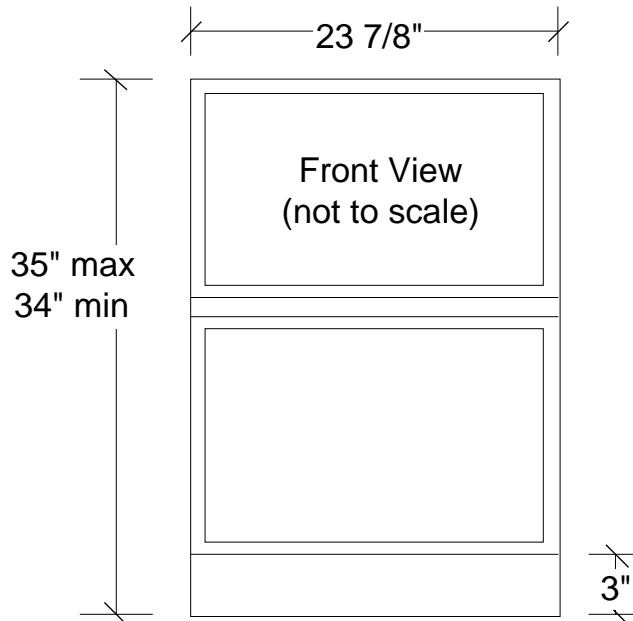
- E-Z Stor Storage System 42245441 Fits top or bottom drawer.
- Drawer divider for top drawer: 42245444
- Drawer divider for bottom drawer: 42245445

See page 2 for additional information

Subject to change without notice. This system is designed to be updated daily if necessary. Dimension Express is not responsible for use of superseded, voided, or outdated data sheets. Because of the difficulty or impracticability of determining actual damages, liability of Dimension Express shall not exceed \$50.00.

Copyright © Dimension Express, 2006.

318



• NEVER reuse Data Sheets. Data Sheets are subject to change without notice. Dimension Express is a FREE service bureau and is updated daily, it makes far more sense to spend the time necessary to request new Data Sheets for each project, as opposed to the problems, time, costs, and risks associated with reusing old Data Sheets.

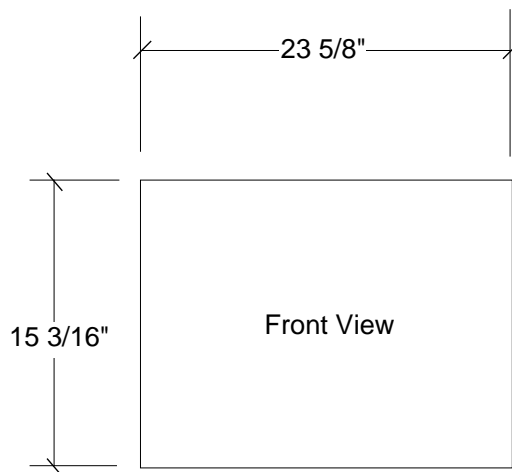
- Call Dimension Express if you have any questions at (800) 940-2059 •
- Always refer to a current Code at a Glance or manufacturer directory •
- Data Sheet codes change on the first of each quarter at 12:01am •

BN • A318B149 • 062508 • 8214 • 71682

Additional Information:

Custom Overlay Solid Drawer Front Panel Dimensions (not to scale)

Two (2) Panels Required Per Unit



Min. thickness: $\frac{5}{8}$ "
Max. thickness: $\frac{3}{4}$ "
Max . weight: 20 lbs

Subject to change without notice. This system is designed to be updated daily if necessary. Dimension Express is not responsible for use of superseded, voided, or outdated data sheets. Because of the difficulty or impracticability of determining actual damages, liability of Dimension Express shall not exceed \$50.00. Copyright © Dimension Express, 2006.

149

• NEVER reuse Data Sheets. Data Sheets are subject to change without notice. Dimension Express is a FREE service bureau and is updated daily, it makes far more sense to spend the time necessary to request new Data Sheets for each project, as opposed to the problems, time, costs, and risks associated with reusing old Data Sheets.

• Call Dimension Express if you have any questions at (800) 940-2059 •
• Always refer to a current Code at a Glance or manufacturer directory •
• Data Sheet codes change on the first of each quarter at 12:01am •

BN • A318B149 • 062508 • 8214 • 71682