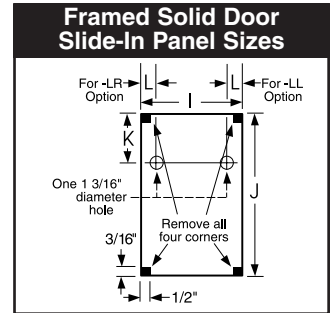
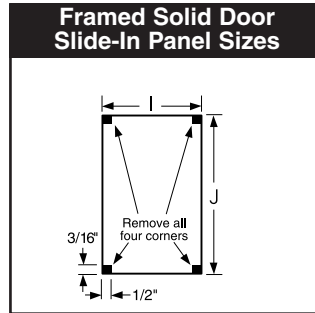
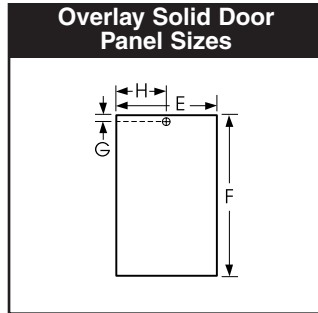
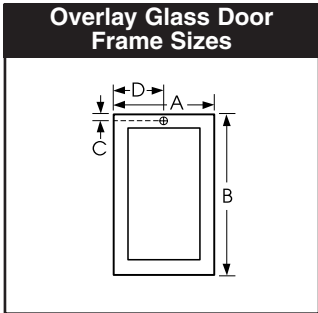


Overlay Panel and Slide-In Panel Specifications



Dimensions in the chart below are for 3" toe kick. For 4" toe kick, refer to installation instructions shipped with each Marvel overlay door or visit Marvel's web site at www.lifeluxurymarvel.com.

Minimum width of rails/stiles is 1 3/4".
Minimum thickness of rails/stiles is 5/8".
Maximum thickness of rails/stiles is 3/4".

Dimensions C and D are for doors with locks installed. It will be necessary to drill a hole in the overlay door frame, corresponding to the lock location, prior to assembly. Hole diameter through overlay frame should be 15/32" with a 13/16" counterbore from back side of panel, 7/16" deep.

Doors accept flat or raised panels.

Maximum weight is 20 lbs.

Minimum thickness is 5/8".

Maximum thickness is 3/4".

Dimensions G and H are for doors with locks installed. It will be necessary to drill a hole in the overlay panel, corresponding to the lock location, prior to assembly. Hole diameter through overlay frame should be 15/32" with a 13/16" counterbore from back side of panel, 7/16" deep.

For doors without optional lock

Doors accept flat or raised panels.

Maximum weight is 20 lbs.

Maximum thickness is 1/4".

For raised panels, reveal is 5/8" on all sides if owner-supplied cabinet door pull is used; 2" if Marvel's clip-on door handle is used.

For doors with optional lock

For door with optional lock, it will be necessary to drill a hole in the door panel, corresponding to the lock location, prior to assembly.

Drawing shows locations for access hole for both -LR (lock, right hinge) and -LL (lock, left hinge) options. Determine which is required and install only one 1 3/16" hole in panel.

Model	OVERLAY GLASS FRAME		OVERLAY GLASS FRAME WITH LOCK		OVERLAY SOLID DOOR		OVERLAY SOLID DOOR WITH LOCK		FRAMED DOOR		FRAMED DOOR WITH LOCK	
	A	B	C	D	E	F	G	H	I	J	K	L
3SWC, 30WC	14 5/16"	30 5/16"	15/32"	7 5/32"	14 3/4"	30 5/16"	7/16"	7 3/8"	N/A	N/A	N/A	N/A
6SWC, 61WC	23 7/16"	30 5/16"	15/32"	11 23/32"	23 3/4"	30 5/16"	7/16"	11 7/8"	N/A	N/A	N/A	N/A
66SWC, 66WC	23 7/16"	30 5/16"	15/32"	11 23/32"	23 3/4"	30 5/16"	7/16"	11 7/8"	N/A	N/A	N/A	N/A
3SBAR, 3BAR	14 5/16"	30 5/16"	15/32"	7 5/32"	14 3/4"	30 5/16"	7/16"	7 3/8"	N/A	N/A	N/A	N/A
6SBAR, 6BAR	23 7/16"	30 5/16"	15/32"	11 23/32"	23 3/4"	30 5/16"	7/16"	11 7/8"	N/A	N/A	N/A	N/A
6SMOD, 6MOD	23 7/16"	30 5/16"	15/32"	11 23/32"	23 3/4"	30 5/16"	7/16"	11 7/8"	23 3/8"	30 3/16"	9 7/8"	1 7/8"
61HK	N/A	N/A	N/A	N/A	23 3/4"	30 5/16"	7/16"	11 7/8"	23 3/8"	30 3/16"	9 7/8"	1 7/8"
30AR	N/A	N/A	N/A	N/A	14 3/4"	30 5/16"	7/16"	7 3/8"	14 1/4"	30 3/16"	N/A	N/A
61AR	N/A	N/A	N/A	N/A	23 3/4"	30 5/16"	7/16"	11 7/8"	23 3/8"	30 3/16"	9 7/8"	1 7/8"
6ADA	N/A	N/A	N/A	N/A	N/A	N/A	N/A	N/A	23 3/8"	27 11/16"	9 7/8"	1 7/8"
30iM	N/A	N/A	N/A	N/A	14 3/4"	25 5/8"	N/A	N/A	14 1/4"	25 1/2"	N/A	N/A
30iMA	N/A	N/A	N/A	N/A	N/A	N/A	N/A	N/A	14 1/4"	22 7/8"	N/A	N/A
15iM	N/A	N/A	N/A	N/A	N/A	N/A	N/A	N/A	14 1/4"	19 11/16"	N/A	N/A
25iM	N/A	N/A	N/A	N/A	14 3/4"	30 5/16"	N/A	N/A	14 1/4"	30 3/16"	N/A	N/A
6CiM	N/A	N/A	N/A	N/A	23 3/4"	30 5/16"	N/A	N/A	23 3/8"	30 3/16"	9 7/8"	1 7/8"
61RF	N/A	N/A	N/A	N/A	23 3/4"	30 5/16"	7/16"	11 7/8"	23 3/8"	30 3/16"	9 7/8"	1 7/8"
80RF	N/A	N/A	N/A	N/A	N/A	N/A	N/A	N/A	29 3/8"	30 3/16"	9 7/8"	2 7/16"

* Must have overlay solid door to accept overlay panel. Overlay glass door will accept overlay frame, but not overlay panel.

N/A Not available