



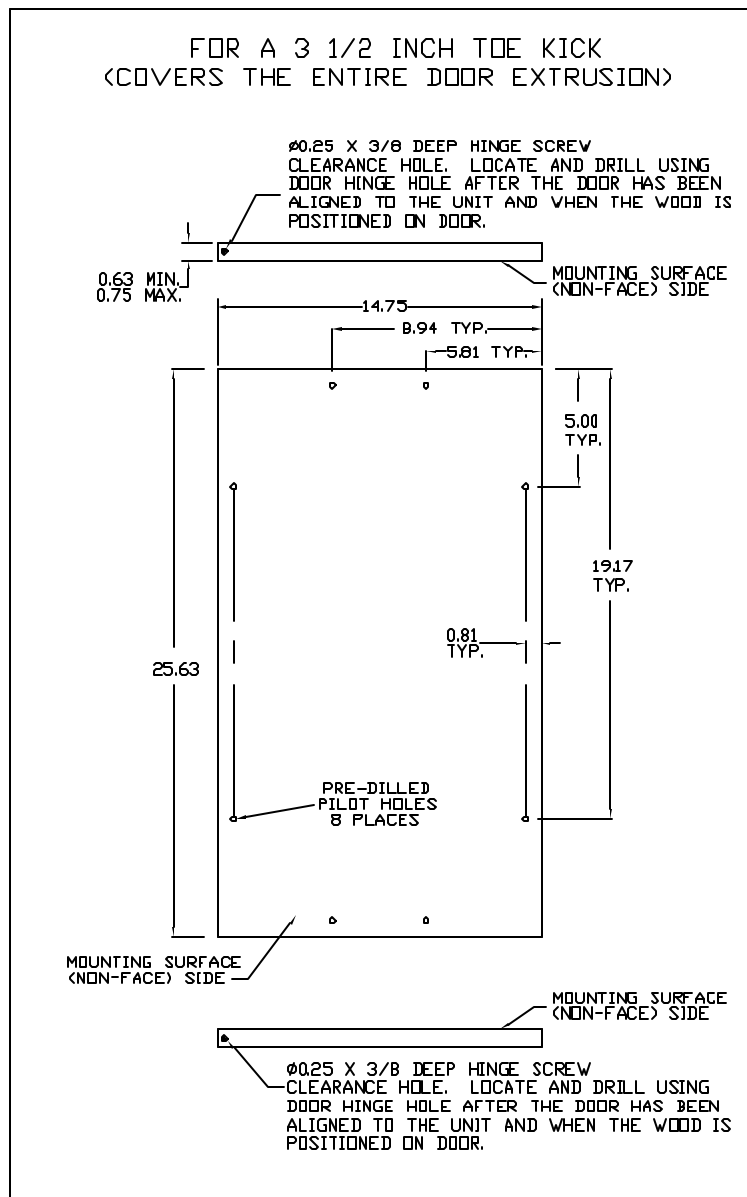
30iM
FULL OVERLAY PANEL
INSTALLATION INSTRUCTIONS

READ BEFORE INSTALLATION

OVERLAY PANEL INSTALLATION INSTRUCTIONS

STEP 1:

SELECTING AND PREPARING THE OVERLAY PANEL



WOOD SCREWS REQUIRED

1. A #8 PAN HEAD WOOD SCREW SHOULD BE USED TO PROPERLY SECURE THE OVERLAY PANEL. A TOTAL OF 8 SCREWS WILL BE NEEDED.
2. ONLY USE PAN HEAD SCREWS.
3. DO NOT SELECT A SCREW THAT IS LONGER THAN THE WOOD THICKNESS AT THE SCREW LOCATIONS.
4. USE RECOMMENDED PILOT HOLES FOR THE PANEL MATERIAL (SEE CHART BELOW)

PILOT HOLE DRILL SIZES FOR WOOD SCREW

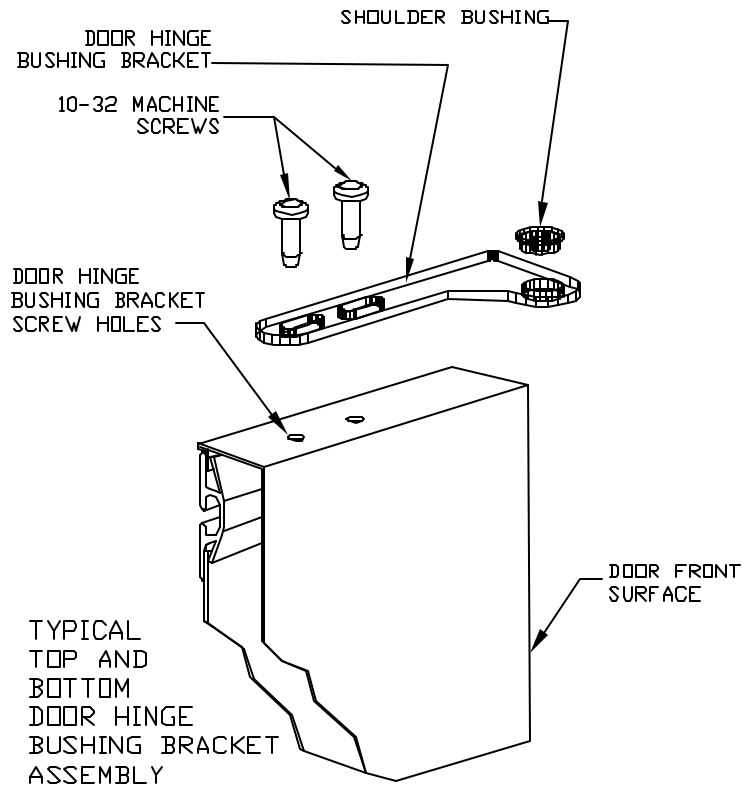
WORK MATERIAL	WOOD SCREW SIZE
	8
HARDWOOD	3/32
SOFTWOOD	5/64

STEP 2:

ASSEMBLING DOOR HINGE BRACKETS

DISREGARD IF HINGE BRACKETS ARE ALREADY ATTACHED.

1. ATTACH THE TOP AND BOTTOM DOOR HINGE BRACKETS TO THE DOOR WITH THE 10-32 MACHINE SCREWS AND A 1/8 INCH ALLEN HEAD DRIVER AS SHOWN IN THE FIGURE BELOW.
2. PRESS IN THE SHOULDER BUSHINGS TO THE TOP AND BOTTOM DOOR HINGE BRACKETS. MAKE CERTAIN THAT THE SHOULDER IS TO THE OUTSIDE OF THE DOOR AS SHOWN IN THE FIGURE BELOW.
3. TEST FIT THE DOOR TO THE UNIT TO MAKE CERTAIN DOOR WILL HANG CORRECTLY. THE DOOR IS HUNG CORRECTLY WHEN THE TOP OF THE DOOR IS PARALLEL TO THE TOP OF THE UNIT. ADJUSTMENTS CAN BE MADE BY LOOSENING THE DOOR HINGE MACHINE SCREWS AND MOVING THE DOOR HINGE BRACKETS ON THE DOOR.
4. TIGHTEN ALL FOUR MACHINE SCREWS AFTER ADJUSTMENTS HAVE BEEN MADE.
5. REMOVE THE DOOR FROM THE UNIT BY REMOVING THE UNIT'S TOP HINGE SET SCREW AND ANGLING THE DOOR OFF OF THE BOTTOM HINGE PIN.

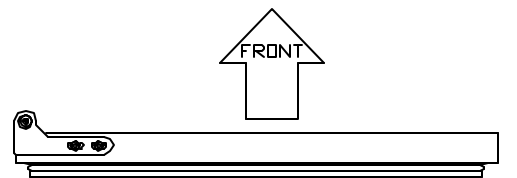


STEP 3:

DETERMINING DOOR SWING

THE DOOR YOU RECEIVED IS FOR A RIGHT HAND SWING UNIT. IF THE DOOR IS ATTACHED TO THE UNIT, REMOVE IT BY UNSCREWING THE TOP ALLEN HEAD SET SCREW AT THE TOP HINGE. REMOVE THE DOOR BY ANGLING THE DOOR OFF OF THE BOTTOM HINGE PIN. ROTATE THE DOOR 180 DEGREES.

SEE STEP 4 ON PAGE 4 FOR PROPER ASSEMBLY OF THE HINGE BUSHING BRACKETS' HARDWARE AND WASHERS.

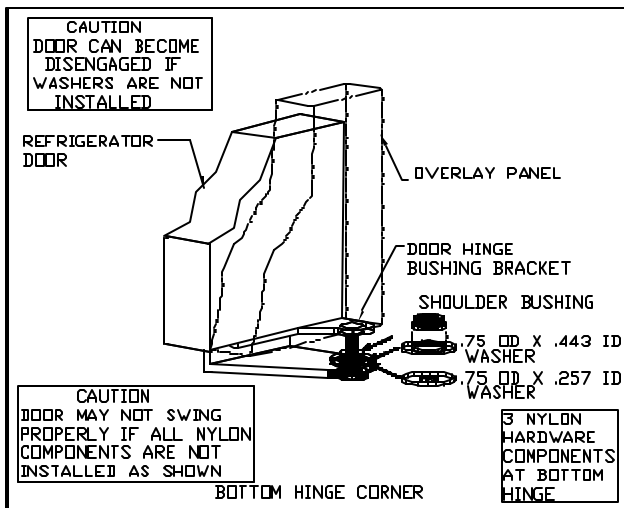
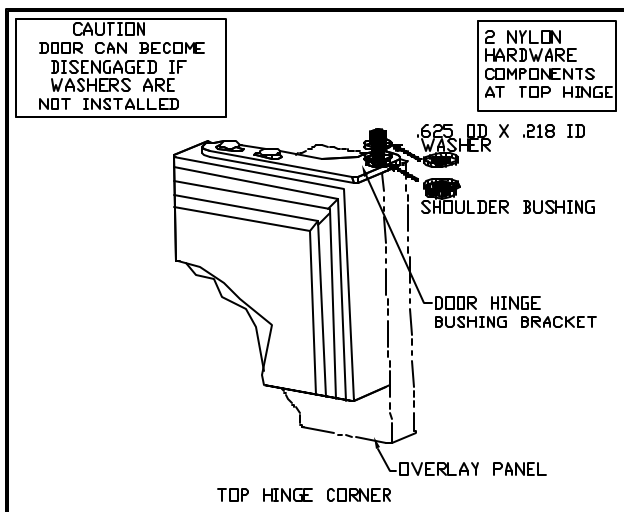


BOTTOM VIEW OF DOOR
WITH LEFT HAND SWING

STEP 4:

ATTACHING THE OVERLAY PANEL TO THE DOOR

1. IF THE DOOR IS ATTACHED TO THE UNIT, REMOVE IT BY UNSCREWING THE TOP ALLEN HEAD SET SCREW AT THE TOP HINGE. REMOVE THE DOOR BY ANGLING THE DOOR OFF OF THE BOTTOM HINGE PIN.
2. PEEL BACK DOOR GASKET TO EXPOSE THE SCREW HOLES.
3. SET THE OVERLAY PANEL FLUSH TO THE FRONT OF THE DOOR IN THE DESIRED LOCATION. CLAMP OVERLAY PANEL TO THE DOOR IF NECESSARY.
4. INSERT THE WOOD SCREWS THROUGH THE BACK OF THE DOOR INTO THE PILOT HOLES IN THE OVERLAY PANEL AND TIGHTEN.
5. REINSTALL DOOR GASKET BY PRESSING INTO DOOR CHANNEL. MAKE CERTAIN THE CORNERS ARE INSERTED FULLY.
6. INSTALL THE DOOR TO THE UNIT. USE THE SUPPLIED PLASTIC WASHERS AS SHOWN IN THE FIGURE BELOW.
7. REALIGNING THE DOOR MAY BE NECESSARY. ANY FINAL DOOR ADJUSTMENTS CAN BE MADE USING A 1/8 INCH ALLEN HEAD DRIVER TO ADJUST THE DOOR'S HINGES (SEE FIGURE BELOW).
8. ATTACH THE DOOR TO THE UNIT BY REVERSING STEP NUMBER 1 ABOVE.



HINGE HARDWARE
INSTALLATION DETAILS

