

Marvel™ product catalogue



Welcome to Marvel®

MORE LUXURY

Moving refrigeration beyond the kitchen is a luxury. At Marvel, we give you choices when it comes to designing your library, den, office, or bedroom. That is because Marvel models are simply stunning to look at, whether they're enhancing—or hiding within—surrounding décor. They are filled with so many luxurious amenities and creative innovations—such as the industry's first ebony interior—that they perfectly complement any room in your home.

CONTENTS

Chateau Collection	3-8
Luxury Series	9-12
Refrigerated Drawers	13-14
Refrigerators/Freezers	15-16
Outdoor Series	17-19
Draft Beer Dispensers	20
Ice Machines	21-22
Customize Marvel	23-24
Model Features	25-26
Installation Specifications	27-29



Chateau Collection 6SWCE-BS-G



MORE CHOICES	MORE QUALITY	MORE COMMITMENT
<p>Marvel gives you the choice to take refrigeration beyond the kitchen and into any room in the home. At Marvel, we revel in the unparalleled selection we offer you, in terms of the look, the specific application, and the capacity of your Marvel model. Marvel features stunning color combinations (such as the ebony interiors, sleek black racks, and the genuine maple facings of our Chateau Collection), exciting design choices, and a wide range of sizes and configurations—all exceeded only by the enduring quality that is built into every Marvel product.</p>	<p>Everyone loves the strong, silent type—that is why discriminating homeowners choose Marvel. Built with pride and quality, quiet efficient performance is engineered into every product we make. Each Marvel product meets the same quality standards as our medical/scientific models; therefore, you can count on features like Vibration Neutralization System™ to provide vibration-free storage (preventing damage to fine wine), precise electronics for consistent temperature, and dual-pane tinted UV-resistant glass doors to display and protect the contents.</p>	<p>Many milestones have taken place throughout Marvel's history, from our early beginnings in 1932, through our 21st- century acquisition by the legendary Aga Rangemaster Group, UK's premiere luxury product supplier with a global reputation for quality. We've had many pioneering successes and continue to develop innovative designs and technologies while preserving our vision. With one of the best warranties in the business, our commitment to you is to design, build, and stand behind the world's finest luxury refrigeration products.</p>

Be it ever so luxurious, there is no place like home. That is how you regard your lifestyle choices, and at Marvel, we share your passion. That is why we are proud to offer the very finest in luxury refrigeration, with more choices, more quality, and more design possibilities than anyone else. For over 70 years, we have been making nothing but the best. We invite you to experience Marvel.



Dual Zone (6SDZE-BS-G)



44 - Bottle Wine Cellar
Model 6SDZE

Two zones for perfect wine storage.

- Exclusive **Sentry System™** monitor (see page 4)
- Two zones are independently controlled and monitored.
- Capacity is 44 bottles: 24 in upper zone, 20 in lower zone.
- Dual-pane, tinted, UV-resistant glass door protects contents from damaging UV rays
- Full extension, glide-out racks with natural maple wood fronts hold all types of bottles
- Signature ebony interior
- Glass door available in black, stainless steel or overlay trim.
- Soft interior lighting in each zone can be set for showcase (continuous) mode or activated with door opening.
- 24 inches wide
33 3/4"H x 23 7/8"W x 23 5/8"D

At the very pinnacle of luxury living, the *Chateau Collection* provides the ultimate wine and beverage storage, available only from Marvel. Discriminating homeowners appreciate the revolutionary details—such as the exclusive **Sentry System™** refrigeration monitor, signature ebony interior, elegant interior lighting and vibration-free storage—and Marvel's commitment to luxury and quality.



15 - BOTTLE



24 - BOTTLE



54 - BOTTLE



15 - Bottle Champagne Cellar
Model 3SWCCE-BS-GX

24 - Bottle Wine Cellar
Model 3SWCE

54 - Bottle Wine Cellar
Model 6SWCE

Specially crafted for champagne.

- Exclusive **Sentry System™** monitor (see below)
- Vibration Neutralization System offers triple layer protection against harmful vibration
- Dual-pane, tinted, UV-resistant glass door protects contents from damaging UV rays
- Full extension, glide-out racks with stainless steel fronts gently cradle champagne bottles
- Signature ebony interior
- Glass door framed in stainless steel
- Accommodates up to 15 bottles
- 15 inches wide
34 1/4"H x 14 7/8"W x 23 5/8"D

Graceful undercounter wine storage.

- Exclusive **Sentry System™** monitor (see below)
- Vibration Neutralization System offers triple layer protection against harmful vibration
- Dual-pane, tinted, UV-resistant glass door protects contents from damaging UV rays
- Full extension, glide-out racks with natural maple wood fronts hold all types of bottles
- Signature ebony interior (also available in monochromatic white with white cabinet)
- Glass door available in black, white, stainless steel or overlay trim
- Accommodates up to 24 bottles
- 15 inches wide
34 1/4"H x 14 7/8"W x 23 5/8"D

The pinnacle of luxury.

- Exclusive **Sentry System™** monitor (see below)
- Vibration Neutralization System offers triple layer protection against harmful vibration
- Dual-pane, tinted, UV-resistant glass door protects contents from damaging UV rays
- Full extension, glide-out racks with natural maple wood fronts hold all types of bottles
- Signature ebony interior (also available in monochromatic white with white cabinet)
- Glass door available in black, white, stainless steel or overlay trim
- Also available with stainless shelf fronts and glass door with stainless (6SWCE-BS-GX).
- Accommodates up to 54 bottles
- 24 inches wide
34"H x 23 7/8"W x 24 1/4"D

Sentry System™

Marvel's exclusive **Sentry System™** refrigeration monitor operates in real time to actively maintain optimal preservation conditions. Many competitors systems monitor the compartment air temperature and only display the set-point. Our system uses intuitive controls to monitor and display temperatures representative of the content temperature. As a result the Marvel **Sentry System™** is controlling the content temperature, not the compartment air temperature, to give you peace of mind that your wine is properly stored at your desired long-term storage or serving temperature. The Marvel **Sentry System™** is your peace of mind that your wine is properly preserved.

- Distinctive visual and audible alarms indicate over/under temperature, power failure and door ajar conditions
- Temperature is easily regulated by user
- Elegant blue LED display shows real time temperature of wine or other contents
- Touch controls and electronic display are discreetly located
- Alarms are easily disabled if desired
- Temperature display has choice of Fahrenheit or Centigrade
- Soft interior lighting can be set for continuous display
- System includes built-in, user-activated Sabbath mode





Chateau Collection 6SBARE-BD (left) and 6SWCE-BD (right)



68 - Bottle Wine Cellar

Model 8SWCE

Expansive design statement with a generous storage capacity.

- Exclusive **Sentry System™** monitor (see page 4)
- Vibration Neutralization System offers triple layer protection against harmful vibration
- Dual-pane, tinted, UV-resistant glass door protects contents from damaging UV rays
- Full extension, glide-out racks with natural maple wood fronts hold all types of bottles
- Signature ebony interior
- Glass door available in black, stainless steel or overlay trim
- Accommodates up to 68 bottles
- 30 inches wide
34"H x 29 7/8"W x 24 1/4"D



108 - BOTTLE

15" BEVERAGE/WINE

24" BEVERAGE/WINE



108 - Bottle Wine Cellar
Model 66SWCE

Beverage & Wine Refrigerator
Model 3SBARE

Beverage & Wine Refrigerator
Model 6SBARE

A towering achievement in wine storage.

- Two independent temperature controlled compartments, each with its own cooling system and **Sentry System™** monitor (see page 4) for exact temperature control
- Vibration Neutralization System offers triple layer protection against harmful vibration
- Dual-pane, tinted, UV-resistant glass doors protect contents from damaging UV rays
- Full extension, glide-out racks with natural maple wood fronts hold all types of bottles
- Signature ebony interior
- Glass door available in black, stainless steel or overlay trim
- Accommodates up to 108 bottles
- 24 inches wide
68 1/8"H x 24 1/8"W x 24 1/4"D

Convenient luxury

- Temperature range suitable for wine storage and beverage refrigeration
- Exclusive **Sentry System™** monitor (see page 4)
- Dual-pane, tinted, UV-resistant glass door protects contents from damaging UV rays
- Full extension, glide-out shelves and racks have natural maple wood fronts
- Shelves may be repositioned to accommodate various sized beverages
- Signature ebony interior (also available in monochromatic white with white cabinet)
- Glass door available in black, white, stainless steel or overlay trim
- Accommodates up to 4 wine bottles and 36 12-oz. canned beverages
- 15 inches wide
34 1/4"H x 14 7/8"W x 23 5/8"D

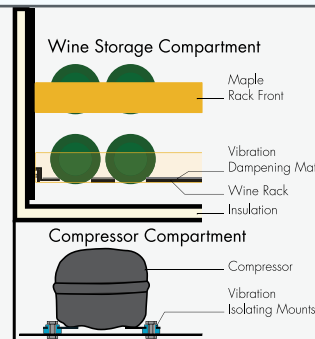
Ultimate luxury

- Temperature range suitable for wine storage and beverage refrigeration
- Exclusive **Sentry System™** monitor (see page 4)
- Dual-pane, tinted, UV-resistant glass door protects contents from damaging UV rays
- Full extension, glide-out shelves and racks have natural maple wood fronts
- Dual sections of top shelf flip up to vertically store 2-liter and opened wine bottles
- Signature ebony interior (also available in monochromatic white with white cabinet)
- Glass door available in black, white, stainless steel or overlay trim
- Accommodates up to 14 wine bottles and 114 12-oz. canned beverages
- 24 inches wide
34"H x 23 7/8"W x 24 1/4"D

Vibration Neutralization System™

A vibration-free environment restricts disruption of sediment, allowing wines to mature properly. The Marvel Chateau Collection Vibration Neutralization System (VNS) is a unique three-layer design that protects your wine from damaging vibration without sacrificing cabinet capacity.

1. The compressor is isolated from the wine storage cavity.
2. Vibration isolating mounts on the compressor offer a second layer of protection from vibration transfer.
3. A vibration dampening mat inserted onto each shelf absorbs any stray vibrations.



30" BEVERAGE/WINE



Beverage & Wine Refrigerator

Model 8SBARE

Elegance meets spaciousness.

- World's first 30-inch wide undercounter beverage and wine refrigerator
- Temperature range suitable for wine storage and beverage refrigeration
- Exclusive **Sentry System™** monitor (see page 4)
- Dual-pane, tinted, UV-resistant glass door protects contents from damaging UV rays
- Full extension, glide-out shelves and racks have natural maple wood fronts
- Dual sections of top shelf flip up to vertically store 2-liter and opened wine bottles
- Signature ebony interior in wine cooler
- Glass door available in black, stainless steel or overlay trim
- Accommodates up to 18 wine bottles and 162 12-oz. canned beverages
- 30 inches wide
34"H x 29 7/8"W x 24 1/4"D

Chateau Collection 66SWDE-BS shown with optional stainless steel shelf fronts

MARVEL

FULL-SIZE WINE/BEVERAGE



Chateau Collection
Model 66SWBE

FULL-SIZE BEVERAGE/WINE



Chateau Collection
Model 66SBWE

FULL-SIZE WINE/DRAWER



Chateau Collection
Model 66SWDE

The height of luxury.

- Independently controlled compartments for wine storage (upper section) and beverage refrigeration (lower section)
- Each section has its own cooling system and **Sentry System™** monitor to ensure wines and beverages are kept at the proper storage temperatures (see page 4)
- Dual-pane, tinted, UV-resistant glass doors protect contents from damaging UV rays
- Full extension, glide-out shelves and racks have natural maple wood fronts
- Signature ebony interior
- Glass door available in stainless steel or overlay trim
- Accommodates up to 68 wine bottles and 114 12-oz. canned beverages
- 24 inches wide
68 1/8"H x 24 1/8"W x 24 1/4"D

Ultimate in great design.

- Independently controlled compartments for beverage refrigeration (upper section) and wine storage (lower section)
- Each section has its own cooling system and **Sentry System™** monitor to ensure wines and beverages are kept at the proper storage temperatures (see page 4)
- Dual-pane, tinted, UV-resistant glass doors protect contents from damaging UV rays
- Full extension, glide-out shelves and racks have natural maple wood fronts
- Signature ebony interior
- Glass door available in stainless steel or overlay trim
- Accommodates up to 68 wine bottles and 114 12-oz. canned beverages
- 24 inches wide
68 1/8"H x 24 1/8"W x 24 1/4"D

A beautiful combination.

- Independently controlled compartments for wine storage (upper section) and fresh food storage (lower section)
- Each section has its own cooling system and **Sentry System™** monitor to ensure wines and food are kept at the proper storage temperatures (see page 4)
- Wine section has ebony interior; drawers have stainless steel interiors
- Full extension, glide-out racks in wine section have natural maple wood fronts
- Available in black, stainless steel or overlay
- Accommodates up to 54 wine bottles; combined drawer capacity is 5.8 cu.ft.
- 24 inches wide
68 1/8"H x 24 1/8"W x 24 1/4"D



More than maple.

The luxurious models of the Chateau Collection are easily recognizable by their distinctive select maple facings located on the front of the glide-out racks. Adding a touch of elegance, the facings can be stained to match any type of wood cabinetry you desire. To customize your Chateau Collection model to fit your design, you can also request the optional pre-finished Marvel Shelf Front Kit to replace the standard maple rack facings. Shelf fronts are available in gloss black, gloss white, or stainless steel.

Marvel® Luxury Series



61WCM-BS-G (left) and 3BARM-BS-G (right)

In every model of the elegant *Luxury Series*, you can expect ideal wine storage conditions, combined with Marvel's penchant for luxurious design and lasting quality. With features such as the exclusive **MicroSentry™** refrigeration monitor, a lighted and inclined display rack for showcasing wine, signature ebony interior and vibration-free storage, the *Luxury Series* offers premium beverage refrigeration for your home.



23 - BOTTLE

45 - BOTTLE

45 - BOTTLE



23 - Bottle Wine Cellar
Model 30WCM

45 - Bottle Wine Cellar
Model 61WCM

Deluxe 45 - Bottle Wine Cellar
Model 61WCM-SS-GX

A luxurious addition to any room.

- Exclusive **MicroSentry™** monitor (see below)
- Dual-pane, tinted, UV-resistant glass door protects contents from damaging UV rays
- Wine racks extend smoothly, with built-in safety stops, to hold all types of wine bottles
- Maple trim on racks is perfect for custom finishing
- Signature ebony interior (also available in monochromatic white with white cabinet)
- Glass door available in black, white, stainless steel or overlay trim
- Accommodates up to 23 bottles, including magnums
- 15 inches wide
34 1/4"H x 14 7/8"W x 23 5/8"D

Undercounter elegance with large capacity.

- Exclusive **MicroSentry™** monitor (see below)
- Inclined display rack showcases wine bottles, with additional storage in the back
- Dual-pane, tinted, UV-resistant glass door protects contents from damaging UV rays
- Wine racks extend smoothly, with built-in safety stops, to hold all types of wine bottles
- Maple trim on racks is perfect for custom finishing
- Signature ebony interior (also available in monochromatic white with white cabinet)
- Glass door available in black, white, stainless steel or overlay trim
- Accommodates up to 45 bottles, including magnums
- 24 inches wide
34"H x 23 7/8"W x 24 1/4"D

Deluxe model in stunning stainless steel.

- Stainless steel cabinet exterior with matching stainless steel framed glass door and stainless trim on wine racks
- Exclusive **MicroSentry™** monitor (see below)
- Inclined display rack showcases wine bottles, with additional storage in the back
- Dual-pane, tinted, UV-resistant glass door protects contents from damaging UV rays
- Wine racks extend smoothly, with built-in safety stops, to hold all types of wine bottles
- Signature ebony interior
- Accommodates up to 45 bottles, including magnums
- 24 inches wide
34"H x 23 7/8"W x 24 1/4"D



MicroSentry™ Refrigeration Monitor

Marvel's **MicroSentry™** monitor controls the refrigeration system's performance to maintain a constant and precise temperature. A visual and audible alarm signals if the temperature goes above or below the set point for a period of time which may impact storage quality or if a door is left ajar. A discreet amber LED display shows representative content temperature in real time. The digital touch controls provide an easy interface to select the desired temperature. Interior light can be set for continuous display.

90 - BOTTLE

15" BEVERAGE/WINE

24" BEVERAGE/WINE



90 - Bottle Wine Cellar
Model 66WCM

Beverage & Wine Refrigerator
Model 3BARM

Beverage & Wine Refrigerator
Model 6BARM

Stellar performer for serious wine connoisseurs.

- Two independent temperature controlled compartments, each with its own cooling system and **MicroSentry™** monitor (see page 10) for exact temperature control
- Two inclined display racks showcase wine bottles, with additional storage in the back
- Dual-pane, tinted, UV-resistant glass doors protect contents from damaging UV rays
- Wine racks extend smoothly, with built-in safety stops, to hold all types of wine bottles
- Maple trim on racks is perfect for custom finishing
- Signature ebony interior
- Glass door available in black, stainless steel or overlay trim
- Accommodates up to 90 bottles, including magnums
- 24 inches wide
68 1/8"H x 24 1/8"W x 24 1/4"D

Quiet and elegant with dual temperature zones.

- Temperature range suitable for wine storage and beverage refrigeration
- Exclusive **MicroSentry™** monitor (see page 10)
- Dual-pane, tinted, UV-resistant glass door protects contents from damaging UV rays
- Maple trim on shelves and racks is perfect for custom finishing
- Signature ebony interior (also available in monochromatic white with white cabinet)
- Glass door available in black, white, stainless steel or overlay trim
- Accommodates up to 4 wine bottles and 60 12-oz. canned beverages
- 15 inches wide
34 1/4"H x 14 7/8"W x 23 5/8"D

The best of both worlds for wine and beverage storage.

- Temperature range suitable for wine storage and beverage refrigeration
- Exclusive **MicroSentry™** monitor (see page 10)
- Dual-pane, tinted, UV-resistant glass door protects contents from damaging UV rays
- Dual sections of top shelf flip up to vertically store 2-liter and opened wine bottles
- Maple trim on shelves and racks is perfect for custom finishing
- Signature ebony interior (also available in monochromatic white with white cabinet)
- Glass door available in black, white, stainless steel or overlay trim
- Accommodates up to 14 wine bottles, including magnums, and 133 12-oz. canned beverages
- 24 inches wide
34"H x 23 7/8"W x 24 1/4"D



Marvel Flip-Up Shelf

A Marvel Exclusive!

This unique shelf has two adjacent sections that flip up to allow vertical storage of tall items on the shelf below. Perfect for storing 2-liter containers and opened wine bottles. Featured in models 6SBARE, 8SBARE and 6BARM. Models 6OBAR-SS-F, 6ORGD-SS-F and 6ADA have the same tall storage area in single flip-up section.

Model 6BARM

FULL-SIZE
WINE / BEVERAGE



FULL-SIZE
BEVERAGE / WINE



CIGAR STORAGE



Wine & Beverage Refrigerator
Model 66WBM

Beverage & Wine Refrigerator
Model 66BWM

Humidrawer™ Cigar Storage
Model 42242728

Elegance with more capacity.

- Two independent temperature controlled compartments for wine storage (upper section) and beverage refrigeration (lower section)
- Each section has its own cooling system and **MicroSentry™** monitor to ensure wines and beverages are kept at the proper storage temperatures (see page 10)
- Inclined display rack showcases wine bottles, with additional storage in the back
- Dual-pane, tinted, UV-resistant glass doors protect contents from damaging UV rays
- Wine racks extend smoothly, with built-in safety stops, to hold all types of wine bottles
- Maple trim on racks is perfect for custom finishing
- Signature ebony interior
- Glass door available in stainless steel or overlay trim
- Accommodates up to 59 wine bottles, including magnums, and 133 12-oz. canned beverages
- 24 inches wide
68 1/8"H x 24 1/8"W x 24 1/4"D

Convenient storage for wine and beverages.

- Two independent temperature controlled compartments for beverage refrigeration (upper section) and wine storage (lower section)
- Each section has its own cooling system and **MicroSentry™** monitor to ensure wines and beverages are kept at the proper storage temperatures (see page 10)
- Inclined display rack showcases wine bottles, with additional storage in the back
- Dual-pane, tinted, UV-resistant glass doors protect contents from damaging UV rays
- Wine racks extend smoothly, with built-in safety stops, to hold all types of wine bottles
- Maple trim on racks is perfect for custom finishing
- Signature ebony interior
- Glass door available in stainless steel or overlay trim
- Accommodates up to 59 wine bottles, including magnums, and 133 12-oz. canned beverages
- 24 inches wide
68 1/8"H x 24 1/8"W x 24 1/4"D

Add cigar storage to Models 61WCM, 66WCM, 66WBM and 66BWM

- Handcrafted of rich walnut and lined with aromatic, untreated Spanish cedar, recommended for fine cigar storage
- Smooth Spanish cedar dividers are adjustable into four compartments to accommodate cigars from five to eight inches in length
- Humidification system is discreetly located
- Built-in closure solidly seals the chamber
- Designed exclusively to fit wine cellars 61WCM, 66WCM, 66WBM and 66BWM
- Interior dimensions
3 1/4"H x 14 3/8"W x 15 1/8"D

Marvel Humidrawer™ Cigar Compartment

Exclusive Design!

For Models 61WCM, 66WCM, 66WBM, 66BWM

Your good taste in wines—and cigars—demands impeccable storage for both. When you add this walnut and Spanish cedar Humidrawer™ cigar compartment to your Marvel® *Luxury Series* wine cellar, you have the ultimate in preservation and presentation. Protect your investment while making a design statement – only Marvel gives you this kind of style, innovation and uncompromising luxury.



Marvel® Refrigerated Drawers



Refrigerated Drawer 60RDE-BB-O-WI

With the largest usable capacity on the market, Marvel's refrigerated drawers combine convenience with luxury. The available stunning stainless steel interiors provide the perfect environment for fresh food storage, while extra deep drawers and full extension slides maximize accessible space.



24" DRAWER



Refrigerated Drawer
Model 60RDE

30" DRAWER



Refrigerated Drawer
Model 80RDE

STORAGE SYSTEM



E-Z Stor System
Optional Accessory

Luxury convenience with 5.8 cubic feet of refrigerated storage space.

- Exclusive **Sentry System™** refrigeration monitor (see page 4)
- Available with white or stainless steel interiors
- Extra-deep lower drawer vertically stores 2-liter and wine bottles
- Full extension drawer slides provide easy access
- LED light system provides clean, bright interior lighting
- Drawer fronts available in black, white, stainless steel or full overlay
- 24 inches wide
34"H x 23 7/8"W x 24 1/4"D

Unparalleled 7.6 cu.ft. storage capacity.

- Exclusive **Sentry System™** refrigeration monitor (see page 4)
- Available with white or stainless steel interiors
- Extra-deep lower drawer vertically stores 2-liter and wine bottles
- Full extension drawer slides provide easy access
- LED light system provides clean, bright interior lighting
- Drawer fronts available in black, white, stainless steel or full overlay
- 30 inches wide
34"H x 29 7/8"W x 24 1/4"D

A Marvel exclusive!

- European style organization system keeps food fresh and separates odors and flavors
- The containers and lids are fully dishwasher safe
- Stainless steel bins are easily removed to accompany the chef to prep, cook and serving areas
- Clear plastic lids allow you to see contents easily
- Includes handy organizer frame

E-Z Stor Food Storage System

- 42245441 60RDE upper or lower drawer
- 42245442 80RDE upper drawer
- 42245443 80RDE lower drawer

60RDE Lower Drawer Divider



80RDE Lower Drawer Divider

Drawer Dividers (Optional Accessory)

- Stainless steel dividers neatly hold food and beverages in place, including vertical 2-liter bottles, gallon containers and wine bottles
- Dividers are fully adjustable for optimum storage and organization
- 80RDE lower divider has an additional sliding cross-piece to maximize use of the supersized lower drawer

Drawer Dividers

- 42245444 60RDE upper drawer
- 42245445 60RDE lower drawer
- 42245446 80RDE upper drawer
- 42245447 80RDE lower drawer

Marvel® Refrigeration

15" REFRIGERATOR



Refrigerator 61ARM-BB-O



Refrigerator
Model 30ARM

Three cubic feet of refrigeration in a small 15-inch space.

- Exclusive **MicroSentry™** refrigeration monitor (see page 10)
- Field-reversible full wrap or overlay door
- 3.0 cubic feet
- Three adjustable chrome-plated wire shelves
- Three door shelves
- Automatic interior light
- Available in black, white, stainless steel or full overlay
- 15 inches wide
34 1/4"H x 14 7/8"W x 23 5/8"D

The Marvel® overlay solid door features a reduced depth to accept a custom overlay panel, allowing seamless integration with adjacent cabinets. Available for 15" and 24" models.



Refrigerators and refrigerator/freezers—now with a more refined and elegant new look. Quiet performance, hand-crafted quality and luxurious designer styling make each model the perfect choice for any application.



24" REFRIGERATOR	24" REFRIGERATOR	30" REFRIGERATOR
	<p style="text-align: center;">WITH FREEZER</p> 	<p style="text-align: center;">WITH FREEZER</p> 
<p style="text-align: center;">Refrigerator Model 61ARM</p>	<p style="text-align: center;">Refrigerator/Freezer Model 61RF</p>	<p style="text-align: center;">Refrigerator/Freezer Model 80RF</p>
<p><i>Undercounter luxury with 6.1 cubic feet of refrigerated space.</i></p> <ul style="list-style-type: none"> • Exclusive MicroSentry™ refrigeration monitor (see page 10) • Field-reversible full wrap or overlay door • 6.1 cubic feet • Two adjustable glass shelves • Three door shelves • Automatic interior light • Available in black, white, stainless steel or full overlay • 24 inches wide 34"H x 23 7/8"W x 24 1/4"D 	<p><i>Convenience of a full-size refrigerator/freezer packed into 6.1 cubic feet.</i></p> <ul style="list-style-type: none"> • Field-reversible full wrap or overlay door • 6.1 cubic feet of refrigerator/freezer space • Top mounted freezer compartment with self-closing door • Two adjustable glass shelves • Three door shelves • Automatic interior light • Available in black, white, stainless steel or full overlay • 24 inches wide 34"H x 23 7/8"W x 24 1/4"D 	<p><i>Experience the luxury of this spacious undercounter refrigerator/freezer.</i></p> <ul style="list-style-type: none"> • Field-reversible door accepts slide-in custom panel • 8.0 cubic feet of refrigerator/freezer space • Top mounted freezer compartment with self-closing door • Automatic interior light • Available in black, white, or black with stainless door panel • 30 inches wide 34"H x 29 7/8"W x 24 3/8"D



Undercounter Refrigerator for Universal Design

Model 6ADA

More choices, more design possibilities.

- Reduced height complies with ADA requirements
- 5.4 cubic feet
- Section of top shelf flips up to vertically store 2-liter and opened bottles
- Automatic interior light
- Available in black, white, stainless steel or full overlay
- 24 inches wide (31 1/2"H x 23 7/8"W x 24 3/8"D)

Outdoor Series

REFRIGERATED DRAWER

INDOOR OR OUTDOOR USE



Refrigerated Drawer

Model 6ORDE-SS-F

Exclusive outdoor refrigerated drawer.

- UL Listed suitable for outdoor use
- Exclusive **Sentry System™** monitors critical functions including over/under temperature, power failure and door ajar conditions (see page 4)
- Touch controls and electronic display are discreetly located
- Refrigerator cabinet encased in high performance stainless steel
- Extra-deep lower drawer vertically stores 2-liter and wine bottles
- Full extension drawer slides provide easy access
- See page 14 for drawer dividers and EZ Stor accessories
- 24 inches wide
34"H x 23 7/8"W x 24 1/4"D



Outdoor Series 6ORDE-SS-F and 6ORGD-SS-F

Complete your outdoor kitchen with the convenient luxury of Marvel. What's the point of entertaining outdoors, if you have to keep running back inside the house to the refrigerator? With Marvel, you have all your refrigeration needs right at hand.



15" REFRIGERATOR

INDOOR OR OUTDOOR USE



15" Refrigerator
Model 3OAR-SS-F

Built to weather the elements, beautifully.

- UL Listed suitable for outdoor use
- Refrigerator cabinet encased in high performance stainless steel
- Three adjustable chrome-plated wire shelves
- Three door shelves
- Automatic interior light
- Full auto defrost
- 15 inches wide
34 1/4"H x 14 7/8"W x 23 5/8"D

24" REFRIGERATOR

INDOOR OR OUTDOOR USE



24" Refrigerator
Model 6OAR-SS-F

Convenient refrigeration for your outdoor kitchen.

- UL Listed suitable for outdoor use
- Refrigerator cabinet encased in high performance stainless steel
- Two removable tempered glass shelves
- Three door shelves
- Automatic interior light
- Optional heavy-duty 23-ounce vinyl cover
- 24 inches wide
34"H x 23 7/8"W x 24 1/4"D

24" BEVERAGE/WINE

INDOOR OR OUTDOOR USE



Beverage & Wine Refrigerator
Model 6OBAR-SS-F

Two temperature zones, one elegant outdoor model.

- UL Listed suitable for outdoor use
- Refrigerator cabinet encased in high performance stainless steel
- Two removable tempered glass shelves hold up to 133 canned beverages
- Wine storage section cradles up to 14 bottles in two properly canted chrome-plated slide-out racks
- Section of top shelf flips up to vertically store 2-liter and opened wine bottles
- Automatic interior light
- Optional heavy-duty 23-ounce vinyl cover
- 24 inches wide
34"H x 23 7/8"W x 24 1/4"D

24" REFRIGERATOR

INDOOR OR OUTDOOR USE



24" Refrigerator
Model 6ORGD-SS-F

Innovative flip-up shelf and room for deli trays.

- UL Listed suitable for outdoor use
- Refrigerator cabinet encased in high performance stainless steel
- Section of top shelf flips up to vertically store 2-liter bottles
- Two removable tempered glass shelves
- Automatic interior light
- Optional heavy-duty 23-ounce vinyl cover
- 24 inches wide
34"H x 23 7/8"W x 24 1/4"D

24" COMBINATION

INDOOR OR OUTDOOR USE



Combination Ice Machine
Model 6OCiM-SS-F

Designed to hold everything you need.

- UL Listed suitable for outdoor use
- Refrigerator cabinet encased in high performance stainless steel
- Produces up to 2 pounds of crescent shaped ice in 24 hours and stores 5 pounds
- Additional storage for ice and frosted glasses in ice compartment
- Spacious beverage area and door shelves
- Positive latch on ice compartment door
- Automatic interior light
- Optional heavy-duty 23-ounce vinyl cover
- 24 inches wide
34"H x 23 7/8"W x 24 1/4"D

CLEAR ICE

INDOOR OR OUTDOOR USE



Ice Machine
Model 3OiMT-SS-F

Real elegance in outdoor entertaining.

- UL Listed suitable for outdoor use
 - Ice machine cabinet encased in high performance stainless steel
 - Produces and stores up to 30 pounds of crystal clear ice in 24 hours
 - 15 inches wide
34 1/4"H x 14 7/8"W x 23 5/8"D
- Requires gravity drain or optional Marvel® Drain Pump. (See page 22)*



Accessories

Protective Vinyl Covers

Made of heavy-duty 23-ounce PVC vinyl, with a polyester non-woven back.

42243155 - Vinyl cover for models 6OHK-SS-F and 6OHK-SSX-F accommodates draft tower and mug rail

42243156 - Vinyl cover for models 6OAR-SS-F, 6OBAR-SS-F, 6ORGD-SS-F, and 6OCiM-SS-F

Castors

Why limit your Marvel to just one location? With our optional easy-to-install castors (shipped separately), you can move your Marvel product where you want it, when you want, simultaneously increasing mobility, flexibility and accessibility.

INDOOR	OUTDOOR	DELUXE
	<p style="text-align: center;">INDOOR OR OUTDOOR USE</p> 	<p style="text-align: center;">INDOOR OR OUTDOOR USE</p> 
<p style="text-align: center;">Half Keg Beer Dispenser Model 61HK</p>	<p style="text-align: center;">Half Keg Beer Dispenser Model 6OHK-SS-F</p>	<p style="text-align: center;">Deluxe Half Keg Beer Dispenser Model 6OHK-SSX-F</p>
<p><i>Convenience on tap.</i></p> <ul style="list-style-type: none"> • Holds half or quarter kegs and can be built into 24" wide undercounter space • Complete with draft tower, hoses, CO₂ tank and regulator, drip tray and interior floor shield • Adjustable temperatures from frosty cold to 50° F for dark lagers and ales • Draft tower can be mounted on any countertop surface • Full auto defrost • Optional accessory items include built-in drain system and tap cleaning kit • Available in black, white, stainless steel or full overlay • 24 inches wide 34"H x 23 7/8"W x 24 1/4"D 	<p><i>Bring the party outside.</i></p> <ul style="list-style-type: none"> • UL Listed suitable for outdoor use • Refrigerator cabinet encased in high performance stainless steel • Holds half or quarter kegs and can be built into 24" wide undercounter space • Complete with draft tower, hoses, CO₂ tank and regulator, drip tray and interior floor shield • Adjustable temperatures from frosty cold to 52° F for dark lagers and ales • Full auto defrost • Optional accessory items include mug rail, built-in drain system kit, casters, 23-ounce vinyl cover, and tap cleaning kit • 24 inches wide 34"H x 23 7/8"W x 24 1/4"D 	<p><i>The ultimate in outdoor entertaining.</i></p> <ul style="list-style-type: none"> • UL Listed suitable for outdoor use • Refrigerator cabinet encased in high performance stainless steel • Holds half and quarter kegs and has casters for mobility • Complete with mug rail, built-in drain, draft tower, hoses, CO₂ tank and regulator, drip tray and interior floor shield • Adjustable temperatures from frosty cold to 52° F for dark lagers and ales • Full auto defrost • Easy-to-roll casters add portability • Optional accessory items include tap cleaning kit and protective 23-ounce PVC vinyl cover • 24 inches wide 38"H with casters x 23 7/8"W x 24 1/4"D



Exclusive cooling power.

With its 440 BTU capacity compressor, Marvel's undercounter beer dispenser keeps a half keg of beer frosty cold, from start to finish, right out of the tap.

Deluxe Draft Beer Dispenser 6OHK-SSX-F

CLEAR ICE



Ice Machine
Model 30iMT

An abundant supply of crystal clear ice at your fingertips.

- Field-reversible full wrap or overlay door
- Produces up to 30 pounds of ice in 24-hrs with storage capacity for 35 pounds of crystal clear ice
- Available in black, white, stainless steel or full overlay
- 15 inches wide
34 1/4"H x 14 7/8"W x 23 5/8"D

Requires gravity drain or optional Marvel® Drain Pump. (See page 22)

CLEAR ICE



Ice Machine
Model 30iMAT

More choices, more design possibilities.

- Reduced height complies with ADA requirements
- Produces up to 30 pounds of ice in 24-hrs with storage capacity for 30 pounds of crystal clear ice
- Available in black, white, stainless steel or full overlay
- 15 inches wide
31 1/2"H x 14 7/8"W x 23 7/8"D

Requires gravity drain or optional Marvel® Drain Pump. (See page 22)

CLEAR ICE

INDOOR OR OUTDOOR USE



Ice Machine
Model 30iMT-SS-F

Real elegance in outdoor entertaining.

- UL Listed suitable for outdoor use
- Ice machine cabinet encased in high performance stainless steel
- Produces up to 30 pounds of ice in 24-hrs with storage capacity for 35 pounds of crystal clear ice
- Stainless grille and toe kick
- 15 inches wide
34 1/4"H x 14 7/8"W x 23 5/8"D

Requires gravity drain or optional Marvel® Drain Pump. (See page 22)



The difference is clear.

Simply freezing water also freezes any impurities that are in it, altering its taste—and any beverage it touches. That is why Marvel's clear ice machines utilize a specialized process that removes impurities during the freezing process. This results in clear, gourmet ice that perfectly chills beverages.

CRESCENT ICE	CRESCENT ICE	CRESCENT ICE
NO DRAIN REQUIRED	NO DRAIN REQUIRED	NO DRAIN REQUIRED
		
<p align="center">Ice Machine Model 15iM</p>	<p align="center">Ice Machine Model 25iM</p>	<p align="center">Combo Ice Machine Model 6CiM</p>
<p><i>Small yet powerful performer.</i></p> <ul style="list-style-type: none"> • Produces up to 12 pounds of crescent shaped ice in 24 hours and stores 15 pounds • Manual defrost • Available in black, white, or stainless steel • 15 inches wide 24 1/4"H x 14 7/8"W x 22 1/8"D 	<p><i>Entertaining elegance for any room in the home.</i></p> <ul style="list-style-type: none"> • Field-reversible full wrap or overlay door • Produces up to 12 pounds of crescent shaped ice in 24 hours and stores 15 pounds • Manual defrost • Available in black, white, stainless steel or full overlay • 15 inches wide 34 1/4"H x 14 7/8"W x 22 1/8"D 	<p><i>The elegance of perfectly chilled beverages joins the luxury of abundant ice.</i></p> <ul style="list-style-type: none"> • Accommodates up to 115 12-oz. cans • Produces up to 2 pounds of crescent shaped ice in 24 hours and stores 5 pounds • Elegant, elevated transparent bin keeps ice in place • Full auto defrost • Available in black, white, stainless steel or full overlay • 24 inches wide 34"H x 23 7/8"W x 24 1/4"D

Marvel® Drain Pump For Clear Ice Machines

Model 42242436

This rugged, compact drain pump installs easily in most ice machines that require a drain. The sealed-reservoir drain pump is designed especially for applications where a floor drain is not readily accessible. This is a Marvel exclusive that is built to provide years of reliable service.

- Pumps drain water to the nearest drain
- Sealed reservoir prevents leaks and overflow, even during power outages
- Clog resistant; automatic power shutoff
- Rated at eight feet for vertical lift and 20 feet for horizontal run
- Measures just 5 1/2"H x 4 1/2"W x 9 1/16"L



Customize Your Marvel®

1. Choose Your Model

Select your Marvel model number.

Simply choose the model number for your Marvel product from the following sections within this brochure:

- Chateau Collection pages 3-8
- Luxury Series pages 9-12
- Refrigerated Drawers pages 13-14
- Refrigerators & Refrigerator/Freezers pages 15-16
- Outdoor Series pages 17-19
- Draft Beer Dispensers page 20
- Ice Machines pages 21-22

2. Choose Your Cabinet Color

Select your exterior cabinet color.

The three available colors are indicated by their letter codes:

- W - White
- B - Black
- S - Stainless Steel

Black or White

Most Marvel models are available with black or white cabinet exteriors. All black and white cabinets are crafted from 22-gauge textured steel with a highly durable commercial-grade powder coat finish to ensure lasting beauty.

Stainless Steel

(Available for outdoor and select indoor models)
Marvel products feature high performance stainless steel. The following models are available with stainless steel cabinet exteriors and doors:

- 6OAR-SS-F
- 6ORDE-SS-F
- 6ORGD-SS-F
- 3OAR-SS-F
- 6OBAR-SS-F
- 6OSWCE-SS-F
- 6OHK-SS-F
- 6OHK-SSX-F
- 6OCiM-SS-F
- 3OiMT-SS-F

The 61WCM-SS-GX features a stainless steel cabinet exterior, along with a stainless-framed glass door and stainless shelf fronts.

3. Choose Your Door

Select your door color/style.

Doors come hinged on the right and are field-reversible, which means the doors can be installed to open to the left or the right side.

Note: *Dual Zone Wine Cellars and models with door lock must be ordered hinge specific as they are not field reversible*

Glass Door: Colors/Styles

All glass doors feature tinted, UV-resistant, dual-pane glass to protect your fine wines from harmful UV rays.

- W-G White framed glass door
- B-G Black framed glass door
- S-G Stainless framed glass door
- D Overlay glass door that accepts custom overlay rails and stiles

1. Framed Glass Door

Available in black, white or stainless, this glass door features a bold wide frame and a matching full-length designer bar handle, pre-installed.

2. Overlay Glass Door

The Marvel® overlay glass door accepts a custom wood frame overlay and door handle or pull supplied by the customer. See page 29 for complete specifications.



Stainless Frame



Overlay Frame

4. Choose Your Options



Black Full Wrap



White Full Wrap



Stainless Full Wrap



Overlay Solid Door

Full Wrap Solid Door: Colors/Styles

The Marvel® full wrap solid door with recessed gasket minimizes the gap between the door and cabinet, keeping the gasket clean and protected against dust and spills. The full wrap solid door gives a clean, seamless look and all doors are easily field reversible, allowing easy access in any application. Each door features a matching full-length designer bar handle, pre-installed.

W-F White painted full wrap solid door

B-F Black painted full wrap solid door

S-F Stainless steel full wrap solid door

W-O White overlay door, accepts panel

B-O Black overlay door, accepts panel

1. Painted Full Wrap Solid Door

Available in black or white, this door is textured steel, painted with durable powder coat finish for enduring beauty.

2. Stainless Steel Full Wrap Solid Door

Doors are made from high performance stainless steel.

3. Overlay Solid Door

The Marvel® overlay solid door features a reduced depth to accept a custom full overlay panel, allowing seamless integration with adjacent cabinets.

Note:

Outdoor Series models 3OAR-SS-F, 3OiMT-SS-F, 6ORDE-SS-F, 6OAR-SS-F, 6ORGD-SS-F, 6OCiM-SS-F, 6OBAR-SS-F, 6OSWCE-SS-F, 6OHK-SS-F and 6OHK-SSX-F are available with full wrap stainless steel doors only.

Full wrap doors are available for all models with the exception of model 8ORF.

Select your customization options.

Customize your new Marvel product. Consult the chart on Pages 25-26 to see what options may be ordered for your specific model. The following are additional options that are available for your Marvel product:

Interiors

Our Refrigerated Drawers are available with the choice of white interiors. Add **-WI** to model numbers 6ORDE and 8ORDE to indicate white interior choice. (ie. 6ORDE-BS-F-WI)

Door Lock

For Marvel models the optional door lock will be located on the face of the door, top center, with the exception of the 8ORF model where the lock will be located on the face of the door, opposite the hinges. Note that door swing on doors with optional locks, is not field reversible.

When a custom overlay is used, a hole must be drilled in the panel to correspond with the lock. See page 29 for hole size and location.

Marvel Shelf Front Kit for Chateau Collection Models

For details on the Marvel Shelf Front Kit, see page 8. Shelf Fronts are available in **Gloss Black, Gloss White, Stainless Steel** and **Natural Maple** on:

15" wine cellar / 15" beverage & wine refrigerator, 24" Dual Zone wine cellar, 24" wine cellar / 24" beverage & wine refrigerator and 30" wine cellar / 30" beverage & wine refrigerator.

Casters

Optional, easy-to-install casters are available to improve mobility of your product, (shipped separately).

	CHATEAU COLLECTION											LUXURY SERIES						
	3SWCCE-BS-GX	3SWCE	6SDZE	6SWCE	8SWCE	66SWCE	3SBARE	6SBARE	8SBARE	66SWBE	66SBWE	30WCM	61WCM	66WCM	3BARM	6BARM	66WBM	66BWM
Cabinet Dimensions																		
Height *	34 1/4"	34 1/4"	33 3/4"	34"	34"	68 1/8"	34 1/4"	34"	34"	68 1/8"	68 1/8"	34 1/4"	34"	68 1/8"	34 1/4"	34"	68 1/8"	
Width	14 7/8"	14 7/8"	23 7/8"	23 7/8"	29 7/8"	24 1/8"	14 7/8"	23 7/8"	29 7/8"	24 1/8"	24 1/8"	14 7/8"	23 7/8"	24 1/8"	14 7/8"	23 7/8"	24 1/8"	
Depth †	23 5/8"	23 5/8"	23 5/8"	24 1/4"	24 1/4"	24 1/4"	23 5/8"	24 1/4"	24 1/4"	24 1/4"	24 1/4"	23 5/8"	24 1/4"	24 1/4"	23 5/8"	24 1/4"	24 1/4"	
Temperature Range °F																		
Refrigerator	N/A	N/A	N/A	N/A	N/A	N/A	N/A	N/A	N/A	N/A	32-45	N/A	N/A	N/A	N/A	N/A	N/A	
Freezer	N/A	N/A	N/A	N/A	N/A	N/A	N/A	N/A	N/A	N/A	N/A	N/A	N/A	N/A	N/A	N/A	N/A	
Beverage Section	N/A	N/A	N/A	N/A	N/A	N/A	40-65	40-65	40-65	40-65	N/A	N/A	N/A	N/A	40-65	40-65	40-65	
Wine Section	40-65	40-65	40-65	40-65	40-65	40-65	40-65	40-65	40-65	40-65	40-65	40-65	40-65	40-65	40-65	40-65	40-65	
Ice Compartment	N/A	N/A	N/A	N/A	N/A	N/A	N/A	N/A	N/A	N/A	N/A	N/A	N/A	N/A	N/A	N/A	N/A	
Storage Capacity																		
Refrigerator (cubic feet)	3.0	3.0	5.5	6.1	8.0	12.2	3.0	6.1	8.0	12.2	5.8	3.0	6.1	12.2	3.0	6.1	12.2	
Freezer (cubic feet)	N/A	N/A	N/A	N/A	N/A	N/A	N/A	N/A	N/A	N/A	N/A	N/A	N/A	N/A	N/A	N/A	N/A	
Ice Storage	N/A	N/A	N/A	N/A	N/A	N/A	N/A	N/A	N/A	N/A	N/A	N/A	N/A	N/A	N/A	N/A	N/A	
Ice Production (pounds/day)	N/A	N/A	N/A	N/A	N/A	N/A	N/A	N/A	N/A	N/A	N/A	N/A	N/A	N/A	N/A	N/A	N/A	
Type of Ice	N/A	N/A	N/A	N/A	N/A	N/A	N/A	N/A	N/A	N/A	N/A	N/A	N/A	N/A	N/A	N/A	N/A	
Beverage Storage (12 ounce)	N/A	N/A	N/A	N/A	N/A	N/A	36 cans	114 cans	162 cans	114 cans	N/A	N/A	N/A	N/A	60 cans	133 cans	133 cans	
Wine Section (bottles)	15 champagne	24	44	54	68	108	4	14	18	68	54	23	45	90	4	14	59	
Defrost System																		
Type	Auto	Auto	Auto	Auto	Auto	Auto	Auto	Auto	Auto	Auto	Auto	Auto	Auto	Auto	Auto	Auto	Auto	
Shipping Weight																		
Pounds (approximate)	130	130	136	166	172	356	125	160	172	356	356	100	130	270	100	130	356	
Door Features/Options																		
Glass	STD	STD	STD	STD	STD	STD	STD	STD	STD	STD	STD	STD	STD	STD	STD	STD	STD	
Accepts Overlay	N/A	❖	❖	❖	❖	❖	❖	❖	❖	❖	❖	❖	❖	❖	❖	❖	❖	
Field Reversible	STD	STD	N/A	STD	STD	STD	STD	STD	STD	STD	STD	STD	STD	STD	STD	STD	STD	
Handle	STD	STD	STD	STD	STD	STD	STD	STD	STD	STD	STD	STD	STD	STD	STD	STD	STD	
Door Shelves	N/A	N/A	N/A	N/A	N/A	N/A	N/A	N/A	N/A	N/A	N/A	N/A	N/A	N/A	N/A	N/A	N/A	
Flat Door Liner	❖	❖	N/A	❖	❖	❖	❖	❖	❖	❖	❖	❖	❖	❖	❖	❖	❖	
Stainless Steel Door	STD	❖	❖	❖	❖	❖	❖	❖	❖	❖	❖	❖	❖	❖	❖	❖	❖	
Other Features/Options																		
Interior Color	Black	Black❖	Black	Black❖	Black	Black	Black❖	Black❖	Black	Black	Black/Stainless	Black❖	Black❖	Black	Black❖	Black❖	Black	
Accepts Casters - field install	N/A	N/A	❖	❖	❖	N/A	N/A	❖	❖	N/A	N/A	N/A	❖	N/A	N/A	❖	N/A	
Door Lock	❖	❖	❖	❖	N/A	❖	❖	❖	N/A	❖	❖	❖	❖	❖	❖	❖	❖	
Leveling Legs	STD	STD	STD	STD	STD	STD	STD	STD	STD	STD	STD	STD	STD	STD	STD	STD	STD	
Interior Light	STD	STD	STD	STD	STD	STD	STD	STD	STD	STD	STD	STD	STD	STD	STD	STD	STD	
Electrical Requirements																		
115V/60HZ ★	STD	STD	STD	STD	STD	STD	STD	STD	STD	STD	STD	STD	STD	STD	STD	STD	STD	
Max Run Amps	3.3	3.3	3.3	3.3	3.3	6.6	3.3	3.3	3.3	6.6	6.6	3.3	3.3	6.6	3.3	3.3	6.6	
Max Start Amps	12.0	12.0	12.0	12.0	12.0	24.0	12.0	12.0	12.0	24.0	24.0	12.0	12.0	24.0	12.0	12.0	24.0	
230V/50HZ ★	N/A	N/A	N/A	N/A	N/A	N/A	N/A	N/A	N/A	N/A	N/A	N/A	N/A	N/A	N/A	N/A	N/A	

STD Standard
❖ Optional
N/A Not Available

* On models that are 34" high, add a minimum of 1/4" to a maximum of 1" to height when leveling legs are installed.
On models that are 34 1/4" high, add 0" to a maximum of 3/4".
† Depth does not include door handle. Add 2 1/8" for bar handle. On model 80RE, add 7/8" for clip-on handle.

	OUTDOOR SERIES								BEER DISPENSERS		ICE MACHINES/ COMBINATIONS					REFRIGERATORS & REFRIGERATOR/FREEZERS					REFRIGERATED DRAWERS	
60SWCE-SS-F	30AR-SS-F	60AR-SS-F	60RGD-SS-F	60BAR-SS-F	60CIM-SS-F	30IMT-SS-F	60RDESS-F	61HK	60HK-SS-F 60HK-SSX-F	15iM	25iM	30iMT	30iMAT	6GM	30ARM	61ARM	6ADA	61RF	80RF	60RDE	80RDE	
Cabinet Dimensions																						
34"	34 1/4"	34	34"	34"	34"	34 1/4"	34"	34"	34"	24 1/4"	34 1/4"	34 1/4"	31 1/2"	34"	34 1/4"	34"	31 1/2"	34"	34"	34"	34"	
23 7/8"	14 7/8"	23 7/8"	23 7/8"	23 7/8"	23 7/8"	14 7/8"	23 7/8"	23 7/8"	23 7/8"	14 7/8"	14 7/8"	14 7/8"	14 7/8"	23 7/8"	14 7/8"	23 7/8"	23 7/8"	23 7/8"	29 7/8"	23 7/8"	29 7/8"	
24 1/4"	23 5/8"	24 1/4"	24 1/4"	24 1/4"	24 1/4"	23 5/8"	24 1/4"	24 1/4"	24 1/4"	22 1/8"	22 1/8"	23 5/8"	23 7/8"	24 1/4"	23 5/8"	24 1/4"	24 3/8"	24 1/4"	24 3/8"	24 1/4"	24 1/4"	
Temperature Range °F																						
N/A	32-50	33-52	33-52	N/A	N/A	N/A	32-45	33-52	33-52	N/A	N/A	N/A	N/A	N/A	32-45	33-45	33-45	33-45	33-45	32-45	32-45	
N/A	N/A	N/A	N/A	N/A	N/A	N/A	N/A	N/A	N/A	N/A	N/A	N/A	N/A	N/A	N/A	N/A	N/A	10-29	10-29	N/A	N/A	
N/A	32-50	33-52	33-52	40-60	33-45	N/A	N/A	N/A	N/A	N/A	N/A	N/A	N/A	33-45	N/A	N/A	N/A	N/A	N/A	N/A	N/A	
40-65	N/A	N/A	N/A	46-64	N/A	N/A	N/A	N/A	N/A	N/A	N/A	N/A	N/A	N/A	N/A	N/A	N/A	N/A	N/A	N/A	N/A	
N/A	N/A	N/A	N/A	N/A	5-15	30-32	N/A	N/A	N/A	0-20	0-20	30-32	30-32	5-15	N/A	N/A	N/A	N/A	N/A	N/A	N/A	
Storage Capacity																						
6.1	3.0	6.1	6.1	N/A	N/A	N/A	5.8	1/4 or 1/2 keg	1/4 or 1/2 keg	N/A	N/A	N/A	N/A	N/A	3.0	6.1	5.4	5.3	7.2	5.8	7.6	
N/A	N/A	N/A	N/A	N/A	N/A	N/A	N/A	N/A	N/A	N/A	N/A	N/A	N/A	N/A	N/A	N/A	N/A	0.73	0.73	N/A	N/A	
N/A	N/A	N/A	N/A	N/A	5 lbs.	35 lbs.	N/A	N/A	N/A	15 lbs.	15 lbs.	35 lbs.	30 lbs	5 lbs.	N/A	N/A	N/A	2 trays	2 trays	N/A	N/A	
N/A	N/A	N/A	N/A	N/A	up to 2	up to 35	N/A	N/A	N/A	up to 12	up to 12	up to 35	up to 35	up to 2	N/A	N/A	N/A	N/A	N/A	N/A	N/A	
N/A	N/A	N/A	N/A	N/A	Crescent	Clear	N/A	N/A	N/A	Crescent	Crescent	Clear	Clear	Crescent	N/A	N/A	N/A	N/A	N/A	N/A	N/A	
N/A	100 cans	190 cans	200 cans	133 cans	115 cans	N/A	N/A	N/A	N/A	N/A	N/A	N/A	N/A	115 cans	100 cans	190 cans	150 cans	175 cans	205 cans	N/A	N/A	
54	N/A	N/A	N/A	14	N/A	N/A	N/A	N/A	N/A	N/A	N/A	N/A	N/A	N/A	N/A	N/A	N/A	N/A	N/A	N/A	N/A	
Defrost System																						
Auto	Auto	Auto	Auto	Auto	Auto	Auto	Auto	Auto	Auto	Manual	Manual	Auto	Auto	Auto	Auto	Auto	Auto	Manual	Manual	Auto	Auto	
Shipping Weight																						
166	100	120	120	130	120	100	170	140	140/150	72	86	100	100	120	100	120	115	120	135	170	195	
Door Features/Options																						
N/A	N/A	N/A	N/A	N/A	N/A	N/A	N/A	N/A	N/A	N/A	N/A	N/A	N/A	N/A	N/A	N/A	N/A	N/A	N/A	N/A	N/A	
N/A	N/A	N/A	N/A	N/A	N/A	N/A	N/A	❖	N/A	N/A	❖	❖	N/A	❖	❖	❖	N/A	❖	N/A	❖	❖	
STD	STD	STD	STD	STD	STD	STD	N/A	STD	STD	STD	STD	STD	STD	STD	STD	STD	STD	STD	STD	STD	N/A	
STD	STD	STD	STD	STD	STD	STD	STD	STD	STD	STD	STD	STD	STD	STD	STD	STD	STD	STD	STD	STD	STD	
N/A	3	3	N/A	N/A	3	N/A	N/A	N/A	N/A	N/A	N/A	N/A	N/A	3	3	3	N/A	3	3	N/A	N/A	
STD	N/A	N/A	STD	STD	N/A	STD	STD	STD	STD	STD	STD	STD	STD	❖	❖	❖	STD	❖	❖	STD	STD	
STD	STD	STD	STD	STD	STD	STD	STD	❖	STD	❖	❖	❖	❖	❖	❖	❖	❖	❖	❖	❖	❖	
Other Features/Options																						
Black	White	White	White	White	White	White	Stainless	White	White	White	White	White	White	White	White	White	White	White	White	White/Stainless	White/Stainless	
N/A	N/A	❖	❖	❖	N/A	N/A	N/A	❖	❖	N/A	N/A	N/A	N/A	N/A	N/A	❖	❖	❖	❖	N/A	N/A	
	❖	❖	❖	❖	N/A	N/A	N/A	❖	❖	N/A	N/A	N/A	N/A	N/A	❖	❖	❖	❖	❖	N/A	N/A	
STD	STD	STD	STD	STD	STD	STD	STD	STD	STD	N/A	N/A	STD	STD	STD	STD	STD	STD	STD	STD	STD	STD	
STD	STD	STD	STD	STD	STD	N/A	STD	N/A	N/A	N/A	N/A	N/A	N/A	STD	STD	STD	STD	STD	STD	STD	STD	
Electrical Requirements																						
STD	STD	STD	STD	STD	STD	STD	STD	STD	STD	STD	STD	STD	STD	STD	STD	STD	STD	STD	STD	STD	STD	
3.3	3.3	3.3	3.3	3.3	3.3	3.3	3.3	3.3	3.3	3.3	3.3	3.3	3.3	3.3	3.3	3.3	3.3	3.3	3.3	3.3	3.3	
12.0	12.0	12.0	12.0	12.0	12.0	12.0	12.0	12.0	12.0	12.0	12.0	12.0	12.0	12.0	12.0	12.0	12.0	12.0	12.0	12.0	12.0	
N/A	N/A	N/A	N/A	N/A	N/A	N/A	N/A	❖	N/A	N/A	N/A	N/A	N/A	N/A	N/A	❖	❖	❖	❖	N/A	N/A	

❖ Models with white cabinets have white interiors.

★ Requires 15 amp circuit.

Model	Exterior Cabinet Dimensions					Finished Rough Opening Dimensions			Height with Leveling Legs Installed	Min. Door Clearance Required
	A height	B width	C depth without door	D ❖ depth with door less handle	E toe kick	F height	G width	H ★ minimum depth		
Chateau Collection Wine and Beverage Refrigeration ❁										
3SWCCE-BS-GX	34 1/4"	14 7/8"	21 1/4"	23 5/8"	3"	34 1/2"	15"	24"	34 1/4" - 35"	16 3/8" †
3SWCE	34 1/4"	14 7/8"	21 1/4"	23 5/8"	3"	34 1/2"	15"	24"	34 1/4" - 35"	16 3/8" †
6SDZE	34 3/4"	23 7/8"	21 1/4"	23 5/8"	3"	34 1/2"	24"	24"	33 3/4" - 35"	25 1/2" †
6SWCE	34"	23 7/8"	22"	24 1/4"	3"	34 1/2"	24"	24"	34" - 35"	25 1/2" †
8SWCE	34"	29 7/8"	22"	24 1/4"	3"	34 1/2"	30"	24"	34" - 35"	31 1/4" †
6SWCE-BS-GX	34"	23 7/8"	22"	24 1/4"	3"	34 1/2"	24"	24"	34" - 35"	25 1/2" †
66SWCE, 66SWBE, 66SBWE	68 1/8"	24 1/8"	22"	24 1/4"	3"	68 3/4"	24 1/4"	24"	68 1/8" - 69 1/8"	25 1/2" †
66SWDE	68 1/8"	24 1/8"	22"	24 1/4"	3"	68 3/4"	24 1/4"	24"	68 1/8" - 69 1/8"	28" †
3SBARE	34 1/4"	14 7/8"	21 1/4"	23 5/8"	3"	34 1/2"	15"	24"	34 1/4" - 35"	16 3/8" †
6SBARE	34"	23 7/8"	22"	24 1/4"	3"	34 1/2"	24"	24"	34" - 35"	25 1/2" †
8SBARE	34"	29 7/8"	22"	24 1/4"	3"	34 1/2"	30"	24"	34" - 35"	31 1/4" †
Luxury Series Wine and Beverage Refrigeration ❁										
3OWCM	34 1/4"	14 7/8"	21 1/4"	23 5/8"	3"	34 1/2"	15"	24"	34 1/4" - 35"	16 3/8" †
61WCM	34"	23 7/8"	22"	24 1/4"	3"	34 1/2"	24"	24"	34" - 35"	25 1/2" †
61WCM-SS-GX	34"	23 7/8"	22"	24 1/4"	3"	34 1/2"	24"	24"	34" - 35"	25 1/2" †
66WCM, 66WBM, 66BWM	68 1/8"	24 1/8"	22"	24 1/4"	3"	68 3/4"	24 1/4"	24"	68 1/8" - 69 1/8"	25 1/2" †
3BARM	34 1/4"	14 7/8"	21 1/4"	23 5/8"	3"	34 1/2"	15"	24"	34 1/4" - 35"	16 3/8" ❁
6BARM	34"	23 7/8"	22"	24 1/4"	3"	34 1/2"	24"	24"	34" - 35"	25 1/2" †
Outdoor Series										
6OSWCE-SS-F	34"	23 7/8"	22"	24 1/4"	3"	34 1/2"	24"	24"	34" - 35"	25 1/2" †
3OAR-SS-F	34 1/4"	14 7/8"	21 1/4"	23 5/8"	3"	34 1/2"	15"	24"	34 1/4" - 35"	16 3/8"
6OAR-SS-F	34"	23 7/8"	22"	24 1/4"	3"	34 1/2"	24"	24"	34" - 35"	25 1/2"
6ORGD-SS-F	34"	23 7/8"	22"	24 1/4"	3"	34 1/2"	24"	24"	34" - 35"	25 1/2"
6OBAR-SS-F	34"	23 7/8"	22"	24 1/4"	3"	34 1/2"	24"	24"	34" - 35"	25 1/2"
6OHK-SS(X)-F	34" ❖	23 7/8"	22"	24 1/4"	3"	34 1/2"	24"	24"	34" - 35"	25 1/2"
6OCiM-SS-F	34"	23 7/8"	22"	24 1/4"	3"	34 1/2"	24"	24" *	34" - 35"	25 1/2"
3OiMT-SS-F	34 1/4"	14 7/8"	21 1/4"	23 5/8"	3"	34 1/2"	15"	24" *	34 1/4" - 35"	16 3/8"
6ORDE-SS-F	34"	23 7/8"	22"	24 1/4"	3"	34 1/2"	24"	24"	34" - 35"	28"
Draft Beer Dispensers										
61HK	34" ❖	23 7/8"	22"	24 1/4"	3"	34 1/2"	24"	24"	34" - 35"	25 1/2"
6OHK-SS-F	34" ❖	23 7/8"	22"	24 1/4"	3"	34 1/2"	24"	24"	34" - 35"	25 1/2"
6OHK-SSX-F	34" ❖	23 7/8"	22"	24 1/4"	3"	34 1/2"	24"	24"	34" - 35"	25 1/2"
Ice Machines and Combos										
3OiMT	34 1/4"	14 7/8"	21 1/4"	23 5/8"	3"	34 1/2"	15"	24" *	34 1/4" - 35"	16 3/8"
3OiMAT	31 1/2"	14 7/8"	21 1/4"	23 7/8"	3"	32"	15"	24" *	31 3/4" - 32 1/2"	16 3/8"
6CiM	34"	23 7/8"	22"	24 1/4"	3"	34 1/2"	24"	24" *	34" - 35"	25 1/2"
15iM	24 1/4"	14 7/8"	19 3/4"	22 1/8"	3 3/4"	24 5/8"	15"	24" *	☼	16 3/8"
25iM	34 1/4"	14 7/8"	19 3/4"	22 1/8"	3"	34 1/2"	15"	24" *	☼	16 3/8"
Refrigerators and Refrigerator/Freezers										
3OARM	34 1/4"	14 7/8"	21 1/4"	23 5/8"	3"	34 1/2"	15"	24"	34 1/4" - 35"	16 3/8"
61ARM	34"	23 7/8"	22"	24 1/4"	3"	34 1/2"	24"	24"	34" - 35"	25 1/2"
6ADA	31 1/2"	23 7/8"	22"	24 3/8"	3"	32"	24"	24"	31 1/2" - 32 1/2"	25 1/2"
61RF	34"	23 7/8"	22"	24 1/4"	3"	34 1/2"	24"	24"	34" - 35"	25 1/2"
8ORF	34"	29 7/8"	22"	24 3/8"	3"	34 1/2"	30"	24"	34" - 35"	31 1/4"
Refrigerated Drawers										
6ORDE	34"	23 7/8"	22"	24 1/4"	3"	34 1/2"	24"	24"	34" - 35"	28"
8ORDE	34"	29 7/8"	22"	24 1/4"	3"	34 1/2"	30"	24"	34" - 35"	28"

- ❖ To determine depth including handle, add: 2 1/8" for bar handle; 7/8" for clip-on handle (model 8ORF only).
- ❖ Add clearance of 15 1/4" above countertop for beer tower.
- ★ Depth does not allow for electrical plug. See electrical requirements at right for location of plug.
- * Allow additional 2" for water line connection if connected directly behind the unit.
- * Allow additional 1" for water line connection if connected directly behind the unit.
- ☼ Leveling legs cannot be used with this model.

- † Wine racks may be extended at 90° door opening.
- ❁ Wine rack may be extended at 135° door opening.

Electrical Requirements

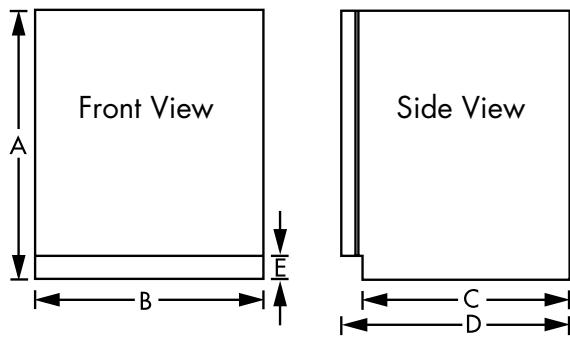
All undercounter models: 115 volts, 3 amps running max. 15 amp circuit required.

All 68 1/8" high models: 115 volts, 7 amps running max. 20 amp circuit required.

For above models, locate a three-prong grounded receptacle in one of three locations:

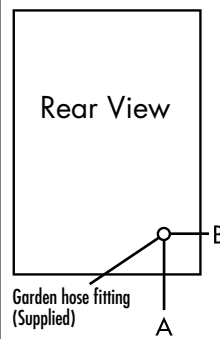
- (1) on the wall in the adjacent cabinet opening, (2) flush on the back wall of the refrigerator opening (add 1" to the overall depth of the unit to accommodate the thickness of the plug), or (3) recessed 1" into the back wall of the refrigerator opening.

Exterior Cabinet Dimensions



REFER TO CHART ON LEFT PAGE

Exterior Cabinet Dimensions

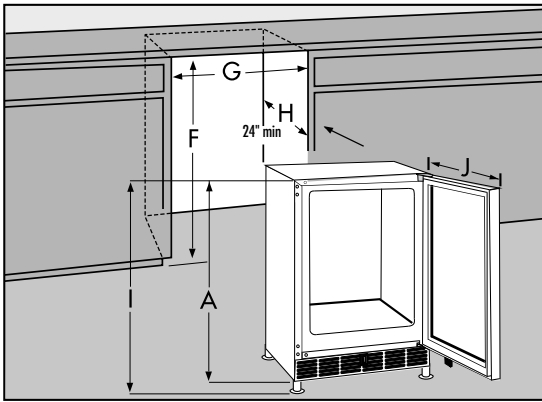


Water pressure required: 20-100 PSI

If water line is connected directly behind the ice machine, allow an additional 1" clearance for models 6CiM and 6OCiM-SS-F and an additional 2" clearance for models 15iM, 25iM, 30iMT, 30iMAT and 30iMT-SS-F.

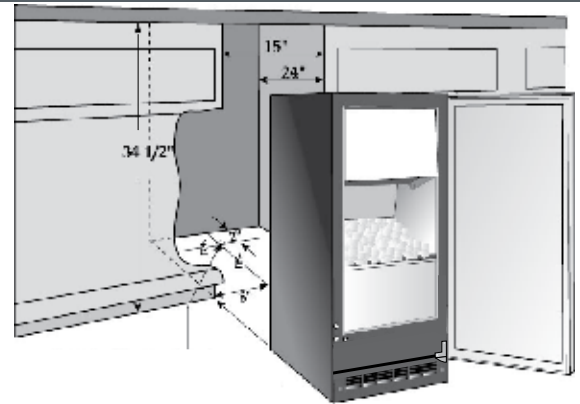
Model	A	B
15iM, 25iM	3 3/4"	3 15/16"
30iMT, 30iMAT, 30iMT-SS-F	5 7/16"	2 3/16"
6CiM, 6OCiM-SS-F	5 3/16"	1 5/8"

Finished Rough Opening Dimensions



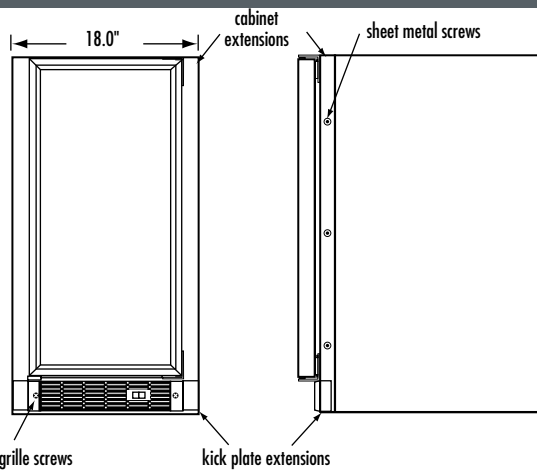
REFER TO CHART ON LEFT PAGE

Gravity Drain Location for Models 30iMT, 30iMAT & 30iMT-SS-F Clear Ice Machines



1 1/2" I.D. drain pipe, up to 3" high above floor

Filler Kit for 15" Wide Models 3SWCE, 3SBARE, 30WCM, 3BARM, 30iMT, 30iMT-SS-F, 25iM, 30ARM & 30AR-SS-F



For installation of 15" wide models into 18" openings. Kit includes two fabricated steel filler panels for installation on each side of refrigerator or ice machine cabinet to adapt to 18" wide opening.

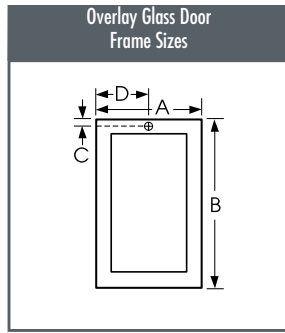
Colors:

- White, Order Part #42242831
- Black, Order Part #42242832
- Stainless Steel, Order Part #42242833

The information presented herein is based on the best data available and is believed to be correct. However, nothing stated herein is to be taken as warranty, expressed or implied, regarding the accuracy of the information or the use of our product or products. Specifications are subject to change without notice.



Overlay Panel Specifications

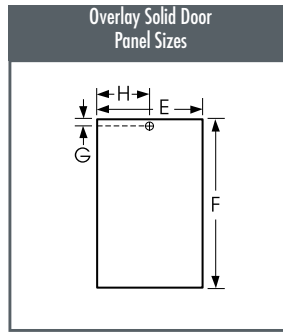


Minimum width of rails/stiles is 1 3/4".

Minimum thickness of rails/stiles is 5/8".

Maximum thickness of rails/stiles is 3/4".

Dimensions C and D are for doors with locks installed. It will be necessary to drill a hole in the overlay door frame, corresponding to the lock location, prior to assembly. Hole diameter through overlay frame should be 15/32" with a 13/16" counterbore from back side of panel, 7/16" deep.



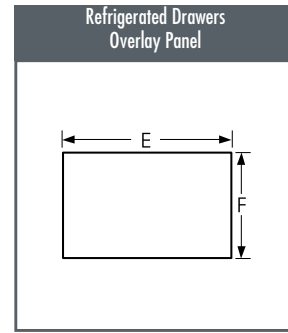
Doors accept flat or raised panels.

Maximum weight is 20 lbs.

Minimum thickness is 5/8".

Maximum thickness is 3/4".

Dimensions G and H are for doors with locks installed. It will be necessary to drill a hole in the overlay panel, corresponding to the lock location, prior to assembly. Hole diameter through overlay frame should be 15/32" with a 13/16" counterbore from back side of panel, 7/16" deep.



Two panels required, one for each drawer.

Drawers accept flat or raised panels.

Maximum weight is 20 lbs.

Minimum thickness is 5/8".

Maximum thickness is 3/4".

Overlay Doors: Dimensions in the chart below are for 3" toe kick. For 4" toe kick, refer to installation instructions shipped with each Marvel overlay door or visit Marvel's web site at www.marvelrefrigeration.com.

	OVERLAY GLASS FRAME		OVERLAY GLASS FRAME WITH LOCK		OVERLAY SOLID DOOR		OVERLAY SOLID DOOR WITH LOCK	
	A	B	C	D	E	F	G	H
3SWCE, 30WCM	14 5/16"	30 5/16"	15/32"	7 5/32"	14 3/4"*	30 5/16"	7/16"*	7 3/8"
6SWCE, 61WCM	23 7/16"	30 5/16"	15/32"	11 23/32"	23 3/4"*	30 5/16"	7/16"*	11 7/8"
6SDZE	23 7/16"	30 5/16"	15/32"	11 23/32"	N/A	N/A	N/A	N/A
8SWCE, 8SBARE	29 7/16"	30 5/16"	N/A	N/A	29 3/4"*	30 5/16"	N/A	N/A
66SWCE, 66SWBE, 66SBWE	23 7/16"	30 5/16"	15/32"	11 23/32"	23 3/4"*	30 5/16"	7/16"*	11 7/8"
66SWDE	For upper section (wine cellar) use specifications for 6SWCE. For lower section (refrigerated drawer) use specifications for 6ORDE							
3SBARE, 3BARM	14 5/16"	30 5/16"	15/32"	7 5/32"	14 3/4"*	30 5/16"	7/16"*	7 3/8"
6SBARE, 6BARM	23 7/16"	30 5/16"	15/32"	11 23/32"	23 3/4"*	30 5/16"	7/16"*	11 7/8"
66WCM, 66WBM, 66BWM	23 7/16"	30 5/16"	15/32"	11 23/32"	23 3/4"*	30 5/16"	7/16"*	11 7/8"
61HK	N/A	N/A	N/A	N/A	23 3/4"	30 5/16"	7/16"	11 7/8"
3OARM	N/A	N/A	N/A	N/A	14 3/4"	30 5/16"	7/16"	7 3/8"
61ARM	N/A	N/A	N/A	N/A	23 3/4"	30 5/16"	7/16"	11 7/8"
6ADA	N/A	N/A	N/A	N/A	23 3/4"	27 11/16"	7/16"	11 7/8"
3OiMT	N/A	N/A	N/A	N/A	14 3/4"	30 5/16"	7/16"	7 3/8"
3OiMAT	N/A	N/A	N/A	N/A	14 3/4"	27 11/16"	7/16"	7 3/8"
15iM	N/A	N/A	N/A	N/A	N/A	N/A	N/A	N/A
25iM	N/A	N/A	N/A	N/A	14 3/4"	30 5/16"	N/A	N/A
6CiM	N/A	N/A	N/A	N/A	23 3/4"	30 5/16"	N/A	N/A
61RF	N/A	N/A	N/A	N/A	23 3/4"	30 5/16"	7/16"	11 7/8"
8ORF	N/A	N/A	N/A	N/A	N/A	N/A	N/A	N/A
6ORDE	N/A	N/A	N/A	N/A	23 5/8"	15 3/16"	N/A	N/A
8ORDE	N/A	N/A	N/A	N/A	29 5/8"	15 3/16"	N/A	N/A

* Must have overlay solid door to accept overlay panel. Overlay glass door will accept overlay frame, but not overlay panel.

N/A Not available

Marvel™ refrigeration

When luxury is a necessity, turn to Marvel. For over 70 years, we've been advancing the art—and science—of luxury refrigeration, with more choices, more quality and more commitment than any other brand. As a part of the world-renowned Aga Rangemaster Group, our commitment to your satisfaction is assured by a global leader in luxury living. For the latest information, including exciting designer tips and the location of the nearest distributor, visit us online at www.marvelrefrigeration.com.





Proudly made in America



Marvel
P.O. Box 400
Greenville, MI
48838

800.223.3900
616.754.0970 fax

41011608
LIT07-0115 04/09

www.marvelrefrigeration.com