

Installation  
Operation  
and  
Maintenance  
Instructions

Refrigerator / Beverage Center  
Luxury Series  
Pro+

**6GARM**  
**6GARMP**



# CONTENTS

---

Unpacking your refrigerator.....	3
Removing the packaging.....	3
Warranty Registration .....	3
Installing your refrigerator.....	4
Selecting the location.....	4
Cabinet Clearances .....	4
Leveling legs .....	4
Electrical Connection.....	5
Using Your MicroSentry™ Control.....	6
Dimensions for glass door.....	7
Recommended Rough in Opening Dimensions	
for glass door.....	7
Dimensions for glass overlay door.....	8
Recommended Rough in Opening Dimensions	
for glass overlay door.....	8
Full Overlay Panel Installation Instructions.....	9
Storage Compartment Shelving .....	12
Wine bottle shelf .....	13
Energy Saving Tips .....	13
Care and Cleaning .....	14
Cleaning condenser air flow.....	14
Cleaning the cabinet.....	14
Cleaning the interior.....	14
Cleaning the shelves.....	14
Cleaning the door gasket.....	14
Replacing the light bulb.....	14
Troubleshooting Guide.....	15
Obtaining Service .....	16
Household Product Warranty.....	17



**AGA MARVEL** is committed to building a quality product in an environmentally friendly manner. Our processes are tightly controlled and closely monitored. We have achieved certifications in ISO 9001 for quality assurance and ISO 14001 for environmental management from Lloyd's Register Quality Assurance.



# UNPACKING YOUR BEVERAGE COOLER

## Important Safety Instructions

Warnings and safety instructions appearing in this guide are not meant to cover all possible conditions and situations that may occur. Common sense, caution, and care must be exercised when installing, maintaining, or operating this appliance.

## Recognize Safety Symbols, Words, and Labels.



**CAUTION**-Hazards or unsafe practices which could result in personal injury or property or product damage.



**WARNING**-Hazards or unsafe practices which could result in personal injury.



**NOTE**-Important information to make a problem free installation.

## Remove Packaging

Your refrigerator has been packed for shipment with all parts that could be damaged by movement securely fastened. Cut the banding material at the bottom of the carton, unfold the cartoning at the bottom and remove the carton from the appliance. Remove the plastic bag, styrofoam corner posts and any tape holding the door closed and internal components in place. The owners manual is shipped inside the refrigerator in a plastic bag along with the warranty registration card.

## Important

Keep your carton packaging until your refrigerator has been thoroughly inspected and found to be in good condition. If there is damage, the packaging will be needed as proof of damage in transit. Afterwards please dispose of all items responsibly in particular the plastic bags which can be a suffocation hazard.

## Note to Customer

This merchandise was carefully packed and thoroughly inspected before leaving our plant. Responsibility for its safe delivery was assumed by the retailer upon acceptance of the shipment. Claims for loss or damage sustained in transit must be made to the retailer.

DO NOT RETURN DAMAGED MERCHANDISE TO THE MANUFACTURER - FILE THE CLAIM WITH THE RETAILER.



If the unit was shipped or has been laying on its back for any period of time allow the refrigerator to sit upright for a period of at least 24 hours before plugging in. This will assure oil returns to the compressor. Plugging the refrigerator in immediately may cause damage to internal parts.

## Warranty Registration

It is important you send in your warranty registration card immediately after taking delivery of your refrigerator or you can register online at [www.agamarvel.com](http://www.agamarvel.com).

The following information will be required when registering your unit.

- Model Number
- Serial Number
- Date of Purchase
- Dealer's name and address

The model number and serial number can be found on the serial plate which is located inside the refrigerator on the left side toward the top of the liner. See Figure 1.

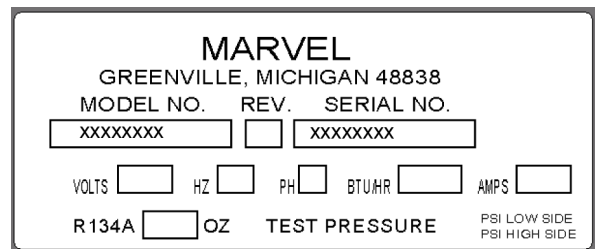


Figure 1



## Help Prevent Tragedies

Child entrapment and suffocation are not problems of the past. Junked or abandoned refrigerators are still dangerous - even if they sit out for "just a few days".

If you are getting rid of your old refrigerator, please follow the instructions below to help prevent accidents.

Before you throw away your old refrigerator or freezer:

- Take off the doors or remove the drawers.
- Leave the shelves in place so children may not easily climb inside.

# INSTALLING YOUR BEVERAGE COOLER

## Select Location

The proper location will ensure peak performance of your appliance. We recommend a location where the unit will be out of direct sunlight and away from heat sources. To assure your product performs to specifications the recommended installation location temperature range is from 65 to 80°F (18 to 27°C) for indoor built in units, 65 to 90°F (18 to 32°C) for indoor freestanding units.

## Cabinet Clearance

Ventilation is required from the bottom front section of the unit. Keep this area open and clear of any obstructions. Adjacent cabinets and counter top can be installed around the unit as long as the grille and door access remain unobstructed.

## Leveling Legs

Adjustable legs at the front and rear corners of the unit should be set so the unit is firmly positioned on the floor and level from side to side and front to back. The overall height of your Marvel refrigerator may be adjusted from 33-7/8" (86.1cm) with the leveling legs turned in, and up to 34-3/4" (88.3cm) with the leveling legs extended.

To adjust the leveling legs, place the refrigerator on a solid surface and protect the floor beneath the legs to avoid scratching the floor. With the assistance of another person, lean the refrigerator back to access the front leveling legs. Raise or lower the legs to the required dimension by turning the legs. Repeat this process for the rear by tilting the refrigerator forward using caution. On a level surface check the refrigerator for levelness and adjust accordingly.

The front grille (toe grille) screws may be loosened and the grille adjusted to the desired height. When adjustment is complete tighten the two toe grille screws. (See Figure 4).

## ⚠ CAUTION

### Front Grille

Do not obstruct the front grille. The openings within the front grille allow air to flow through the condenser heat exchanger. Restrictions to this air flow will result in increased energy usage and loss of cooling capacity. For this reason it is important this area to not be obstructed and the grille openings kept clean. AGA MARVEL does not recommend the use of a custom made grille as air flow may be restricted because of inadequate openings. (See Figure 2).

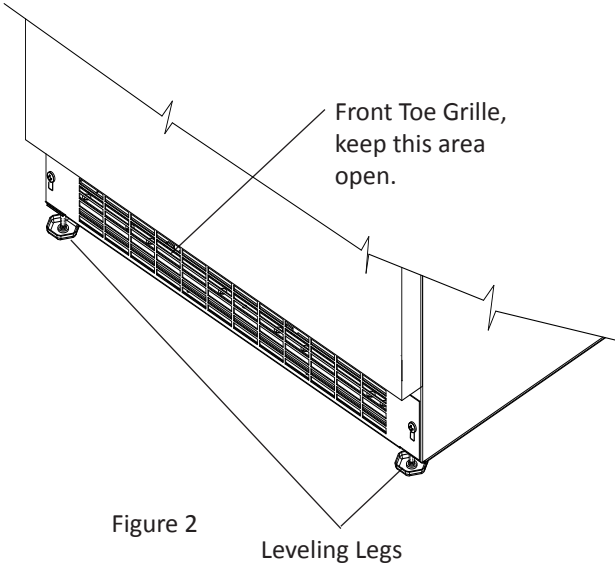


Figure 2

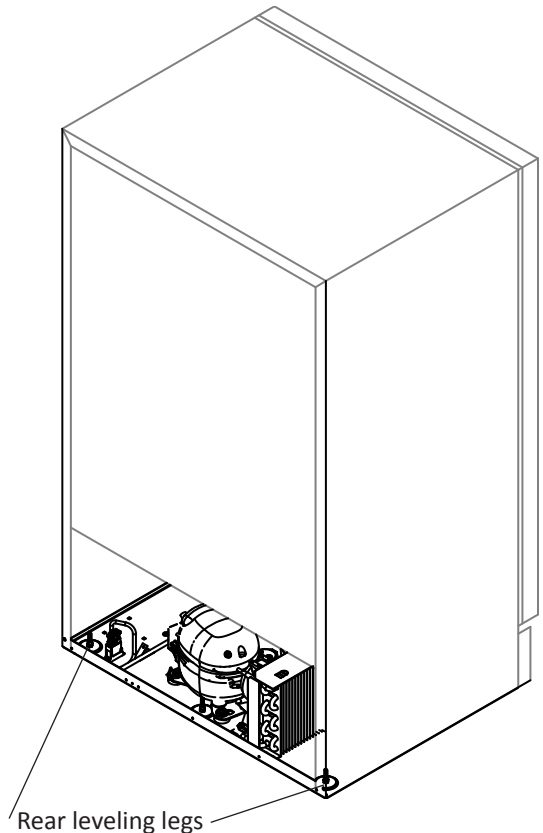
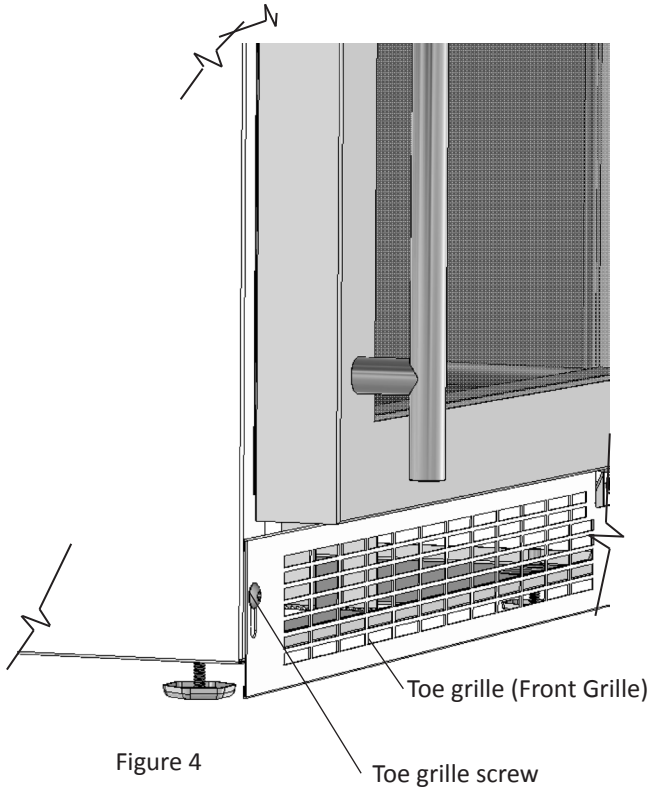


Figure 3

## ELECTRICAL CONNECTION



### ⚠ CAUTION

- Do not splash or spray water from a hose on the refrigerator. Doing so may cause an electrical shock, which may result in severe injury or death.
- This unit should not, under any circumstances, be installed to an un-grounded electrical supply.

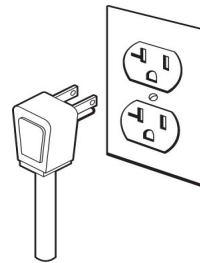
### Electrical Connection

A grounded 115 volt, 15 amp dedicated circuit is required.

This product is factory equipped with a power supply cord that has a three-pronged, grounded plug. It must be plugged into a mating grounding type receptacle in accordance with the National Electrical Code and applicable local codes and ordinances (see Figure 5). If the circuit does not have a grounding type receptacle, it is the responsibility and obligation of the customer to provide the proper power supply. The third ground prong should not, under any circumstances, be cut or removed.

### ⚠ CAUTION

Do not use an extension cord with this appliance.



The unit must be installed according to your local building codes and ordinances.

### NOTE

Ground Fault Circuit Interrupters (GFCI) are prone to nuisance tripping which will cause the unit to shut down. GFCI's are generally not used on circuits which power equipment that must run unattended for long periods of time, unless required to meet local building codes and ordinances.

# USING YOUR MICROSENTRY™ REFRIGERATOR CONTROL

Figure 6  
Control  
Assembly

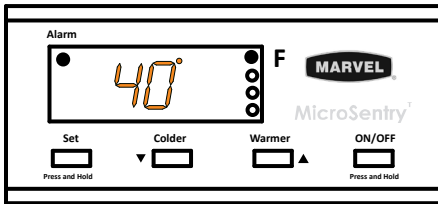
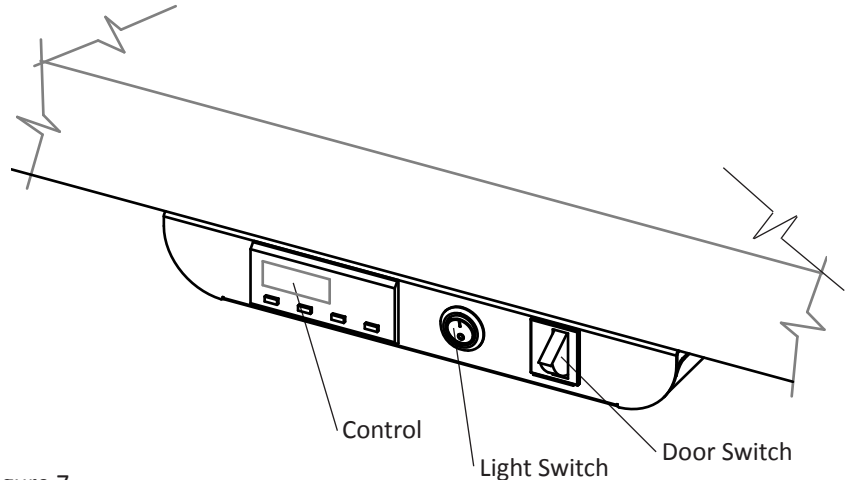


Figure 7  
close-up of  
control

## Starting your refrigerator

Plug the refrigerator power cord into a wall outlet. Your refrigerator will begin cooling a few seconds after power is applied. If your refrigerator does not start, check that the refrigerator is turned on and the setpoint is cold enough.

## Turning your refrigerator ON or OFF

If the refrigerator is on, the refrigerator temperature will be shown on the display. To turn the refrigerator off, press and hold the "ON/OFF" button for three (3) seconds. "OFF" will appear on the display.

If the refrigerator is off. "OFF" will be shown on the display. To turn the refrigerator on, press and hold the "ON/OFF" button for three (3) seconds. The refrigerator temperature will be shown on the display.

## Set temperature

To set the refrigerator temperature, press and hold the "SET" button. When the "SET" button is pressed, the display will show the set temperature. While holding the "SET" button, press the "WARMER" or "COLDER" buttons to adjust set temperature.

## Refrigerator operation

The available temperature range of the refrigerator is 35° to 43°.

It may take up to 24 hours for your refrigerator to reach desired temperature. This will depend on amount of content loaded and number of door opening and closings.

For best results allow refrigerator to "pull down" to desired set point before loading. Once contents are loaded, allow at least 48 hours for temperature to stabilize before making any adjustments to the set point.

## Alarms

Your MicroSentry™ refrigerator control will monitor refrigerator function and alert you with a series of audible and visual alarms.



- **Door Ajar Alarm:** If the door has been left open for over five (5) minutes, the alarm will sound in one (1) second intervals. The display panel will flash "do" and the LED light will be a steady amber color. This will stop as soon as the door is closed.

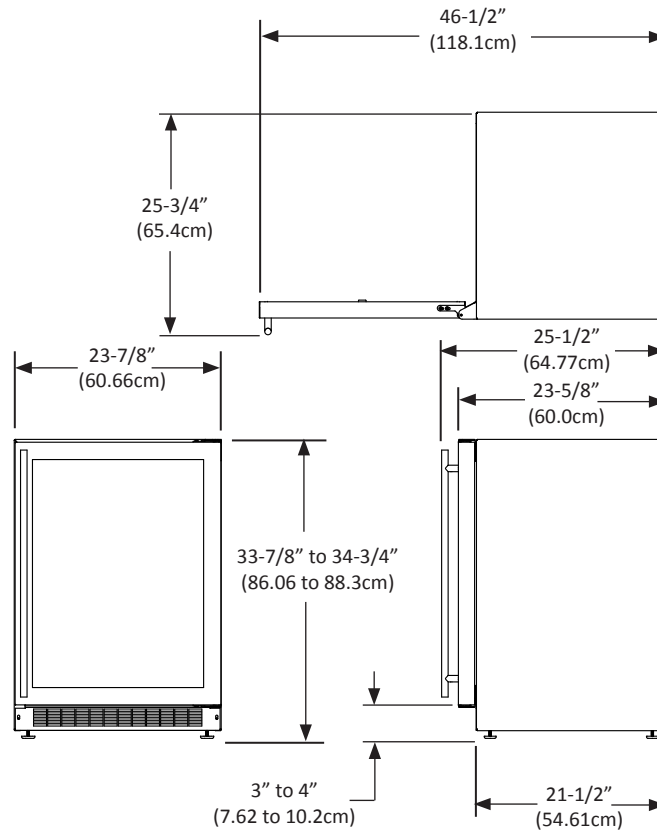


- **Temperature Sensor Fault:** If the controller detects that a temperature sensor is not properly functioning, a temperature sensor alarm will sound. "E1" or "E2" will flash on the display, and an audible alarm will sound. Please call AGA MARVEL Customer Service or your dealer if this error code is displayed.

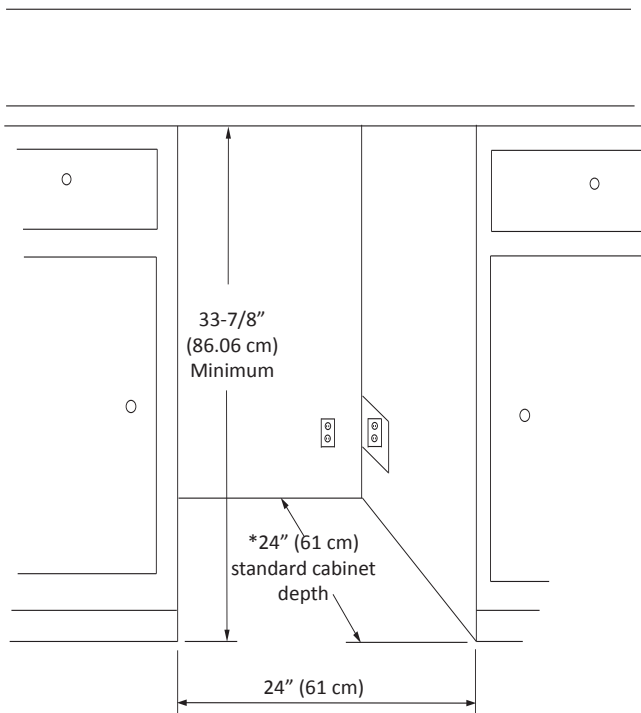
## Alarm Mute

Press any key to mute the audible portion of an alarm. NOTE-This action will only mute the alarm. If the condition that caused the alarm continues, the alarm code will continue to flash and will sound for 20 seconds every 60 minutes.

## DIMENSIONS FOR GLASS DOOR



## ROUGH IN OPENING DIMENSIONS FOR GLASS DOOR



### **⚠ CAUTION**

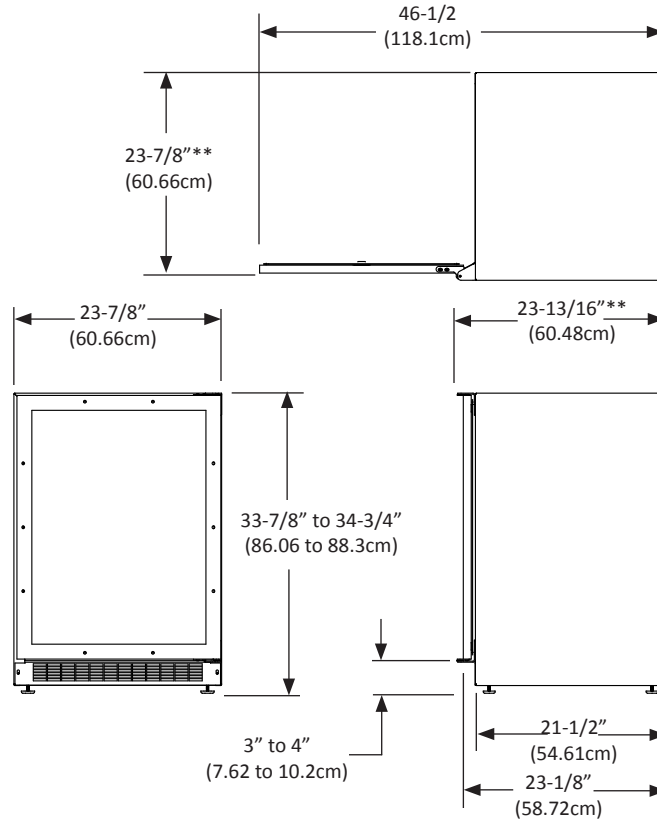
Electrical Requirements: A grounded 115 volt, 15 amp dedicated circuit is required.

Power outlet can be located in the back wall behind unit. Add 1" to depth for thickness of plug, or recess outlet 1" into the wall. Power outlet can also be installed in adjacent cabinetry with a cutout for routing of power cord. Follow all local building codes when installing electrical and unit.

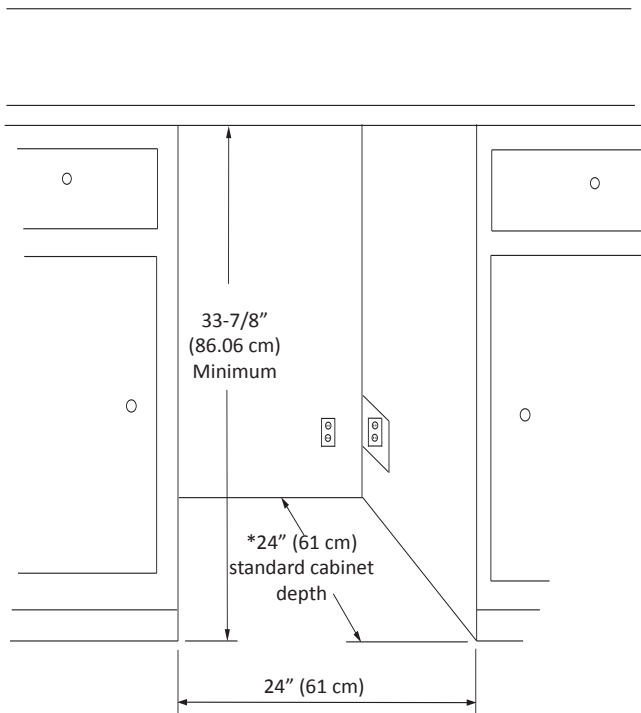
Product weight = 130 lbs. (59.1 kg.)

\* Depth dimension may vary depending on each individual installation.

## DIMENSIONS FOR GLASS OVERLAY DOOR



## ROUGH IN OPENING DIMENSIONS FOR GLASS OVERLAY DOOR



### **⚠ CAUTION**

Electrical Requirements: A grounded 115 volt, 15 amp dedicated circuit is required.

Power outlet can be located in the back wall behind unit. Add 1" to depth for thickness of plug, or recess outlet 1" into the wall. Power outlet can also be installed in adjacent cabinetry with a cutout for routing of power cord. Follow all local building codes when installing electrical and unit. Product weight = 130 lbs. (59.1 kg.)

\* Depth dimension may vary depending on each individual installation.

# FULL OVERLAY PANEL INSTALLATION INSTRUCTIONS

## ⚠ CAUTION

### Step 1: Verify door alignment

Verify that the door is aligned with the cabinet prior to fabricating the custom panel. Failure to do so could result in mis-alignment of the custom panel with the hinge bracket. If alignment is necessary the door may be adjusted by loosening the 2 screws which secure the hinge adapter brackets on the top and bottom of the door and adjusting the door side to side. Use a 5/32" allen wrench for this procedure. (See Figure 8 below). When finished aligning the door, tighten the screws securely.

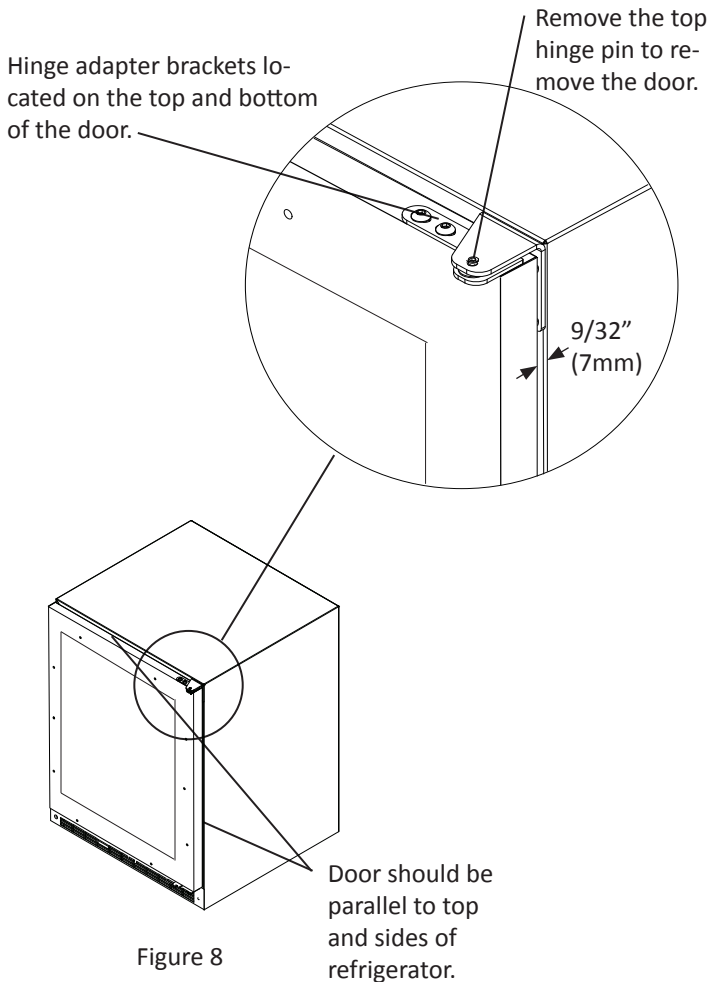


Figure 8

### Step 2: Remove door

Remove the top hinge pin from the hinge with an 1/8" allen wrench. Remove the door by angling the top of the door outward and lifting the door off the bottom hinge. (See detail in Figure 8).

### Step 3: Remove gasket

Lay the door on its front being careful not to scratch it. Remove the door gasket by peeling up and out of the channel.

### Step 4: Cut overlay panel

Depending on the refrigerator model cut the overlay panel to the dimensions shown. Use Figure 9 and Table A for glass door models.

The non-glass, solid door, will use the same height and width dimensions as the glass door. The center of the solid door custom panel will not be removed.

## NOTE

For overlay with lock option panel thickness to be 3/4" (19mm) maximum to 5/8" (16mm) minimum.

## ⚠ CAUTION

Weight of the overlay panel should not exceed 20 pounds (9.1 kilograms).

## NOTE

For the door to close properly, it is necessary to maintain a minimum space of 9/32" (7mm) between the door and cabinet flange, (see Figure 8). This space can be adjusted by adjusting the top and bottom hinge adapter brackets.

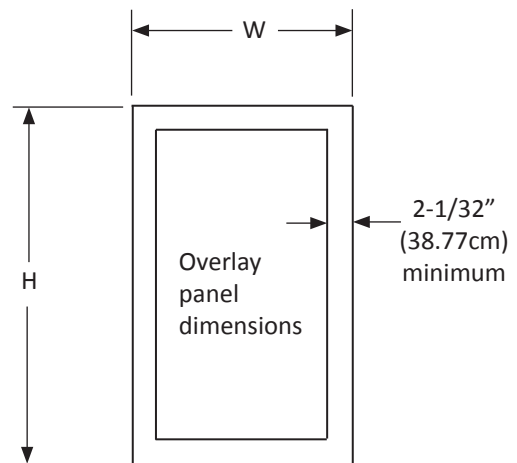


Figure 9  
Glass Door Models and  
Solid Door Models

Model	W	H
6GARM	23-5/8" (60.0cm)	30-3/8" (77.17cm)

Table A  
Glass Door Models and  
Solid Door Models

# FULL OVERLAY PANEL INSTALLATION INSTRUCTIONS

## Step 5: Drill hinge clearance holes in overlay panel

Set the overlay panel on the door front, align the edges, and clamp together. Clamp the panel firmly but be careful not to damage the door or the panel. Mark center of hinge adapter hole on wood panel, top and bottom. (See Figure 10.) Remove wood panel from door and drill 5/16" (8mm) diameter clearance holes into the overlay panels 3/4" (20mm) deep. These will be clearance holes for the top and bottom hinge pins.

This is also a convenient time to locate and drill the holes for your handle. Most often the handle is to match that of the surrounding cabinetry. If your handle attaches from the back-side of the custom panel, locate the mounting holes while the panel is attached to the door and cabinet. After the panel is removed from the door, drill the mounting holes from the front, to the recommended diameter of the handle manufacturer. Counter bore the back-side of the panel so the screw heads do not interfere with the surface of the door.

## Step 6: Drill panel mounting holes

Re-clamp the panel to the door per step 5 and drill the screw pilot holes, located in the gasket channel, for attaching the overlay panel to the door. Select the size of the hole from Table B. Be careful not to drill the pilot holes through the overlay panel, (1/2" (12.7mm) deep for 3/4" (19mm) and 5/8" (15.7mm) panels).

Material Type	Pilot Hole for #8 Wood Screw
Hardwood	1/8" (3.2mm) Diameter. Pilot Hole
Softwood	7/64 (2.8mm) Diameter. Pilot Hole

Table B

### NOTE

If your refrigerator has a door lock proceed to Step 7. If your refrigerator does not have a door lock proceed to Step 9.

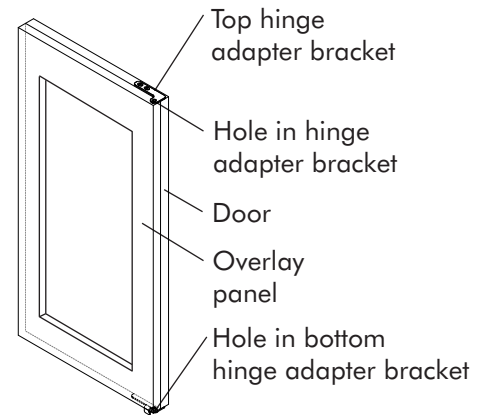


Figure 10  
Glass door  
shown

## Step 7: Mark and drill lock hole (if required)

Locate and mark with a pencil the location of the lock hole on the overlay panel, this is the hole in the top corner of the handle side of the door. Remove the clamp and remove the overlay panel from the door. On the backside of the panel where you marked the lock location drill a 13/16" (20.5mm) diameter counter bore 7/16" (11.0mm) deep into the overlay panel. Drill a 15/32" (12.0mm) diameter hole through the overlay panel centered on the counter bore being careful not to splinter the wood on the face side of the panel. (See Figure 11).

## Step 8: Assemble the lock parts (if required)

Two (2) lock extensions are supplied with the lock. Use the longer extension for a 3/4" thick overlay panel and the shorter one for a 5/8" thick panel. Assemble the lock extension, cam stop washer, spring washer, and set screw to the lock as shown in Figure 11 and 12. Install this assembly into the overlay panel and secure with the retaining nut using a 15mm socket. Make sure the key slot in the lock is vertical.

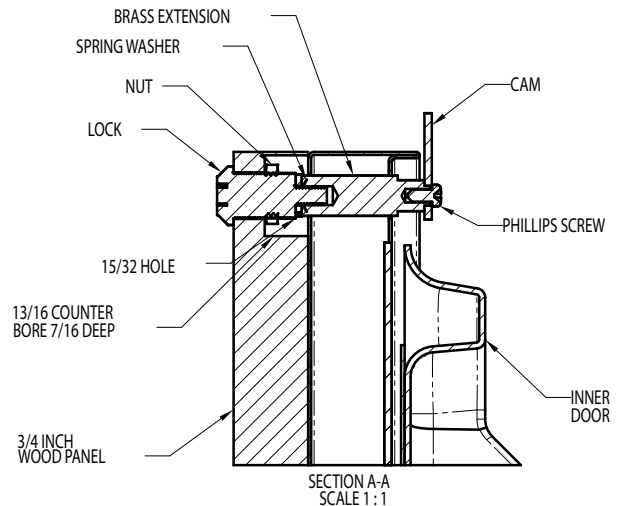


Figure 11

# FULL OVERLAY PANEL INSTALLATION INSTRUCTIONS

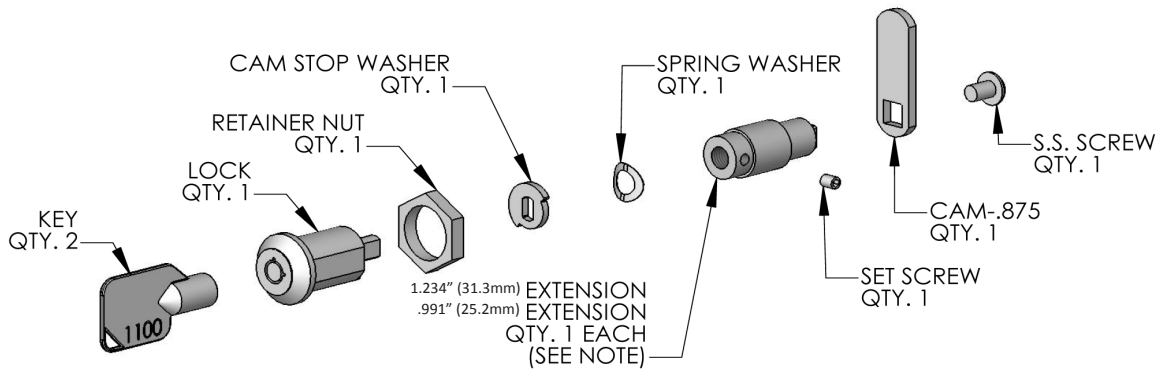


Figure 12

## Step 9: Secure overlay panel to the door.

With the #10 wood screws provided fasten the overlay panel to the door. (See Figure 13).

## Step 10: Install lock cam (Models with locks only).

Attach the lock cam to the back of the lock assembly with the phillips head machine screw provided. Orient the lock cam vertically when installing on the lock.

## Step 11: Install door gasket

Press the door gasket into the door channel. Make certain the gasket corners are fully inserted. If applicable insert the key into the lock and make certain the lock operates properly.

## Step 12: Install the door

Install the top and bottom hinge adapter bushings back into the hinge adapters that were removed in step 6. Install the door by reversing the procedure from step 2. Install the top hinge pin so the screw head is flush with the top surface of the hinge. If applicable insert key into lock and verify the lock cam works properly with the catch bracket on the front of the appliance cabinet.

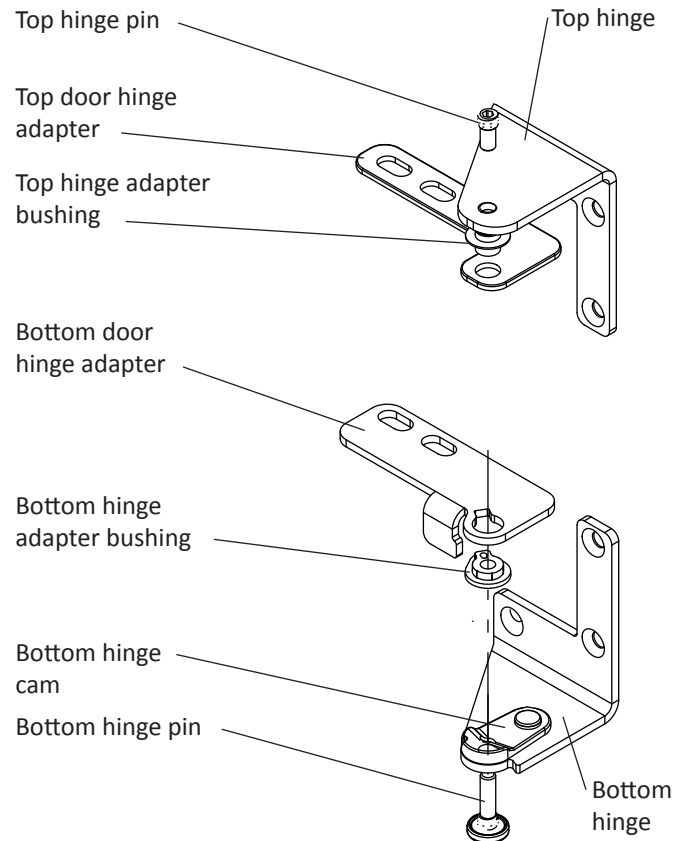


Figure 14  
Right hand hinges shown

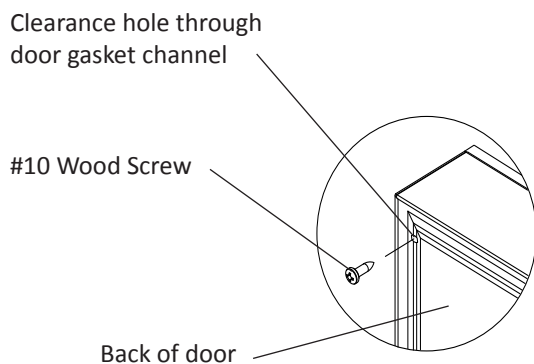


Figure 13

## STORAGE COMPARTMENT SHELVING

### Loading Tips and Suggestions

Your product is equipped with a cantilever shelf system to provide you with maximum adjustability and customization options through the purchase of aftermarket shelving.

The basic cabinet comes with 3 glass shelves which can be positioned anywhere in the cabinet. The glass half shelf allows storage of tall bottles or opened wine bottles on the shelf below. (See Figure 15). The fixed wooden bottle cradle at the bottom of the cabinet will hold 6 bottles of wine. The wooden, bottom bottle cradle may be removed for storing "jug" wines. Just remove the two (2) screws that secure the cradle to the cabinet floor.

The bottles or cans on the top shelf directly under the light will be exposed to a slightly higher temperature when the light is on. Position your product accordingly and **REMEMBER TO TURN OFF THE LIGHT WHEN IT IS NO LONGER NEEDED.**

### To Add or Remove a Shelf

Remove stored product from the shelf. Do not try to remove a loaded shelf from the unit. Grasp the shelf front with both hands, rotate the front upward and lift out. (See Figure 16). To install a shelf insert the shelf in the unit and insert the hooks into the shelf support slots and drop the shelf down so the hooks drop over the bottom of the slots.

#### NOTE

Make sure the shelf is secure before loading the shelf.

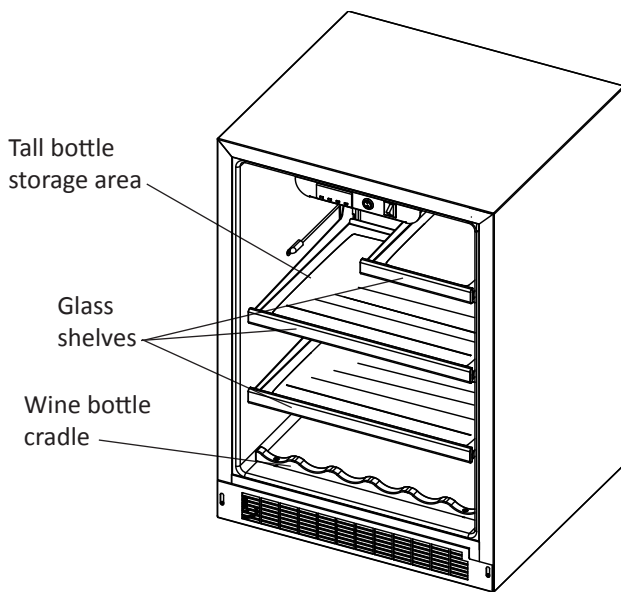


Figure 15

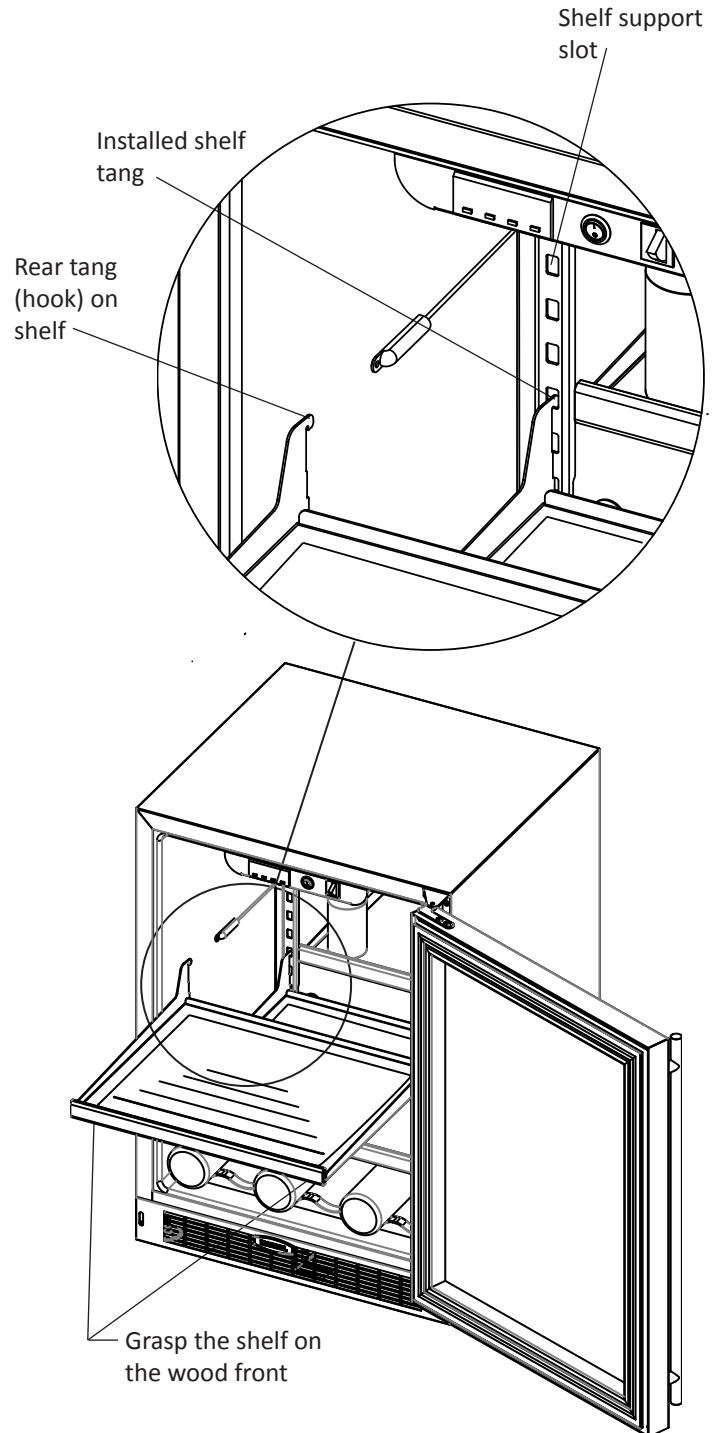


Figure 16

## ENERGY SAVING TIPS

### Wine Bottle Shelf

Underneath the glass on both full width shelves are the wine bottle shelves. Simply remove the glass to store your bottled wine. (See Figures 17 and 18).

The wine shelf holds 6 bottles of wine. Keep wines that you plan to use for everyday drinking and entertaining on the front half of the shelf. Because of the lower temperature of the refrigerator the wine shelf may not be conducive to long term storage of your wine.

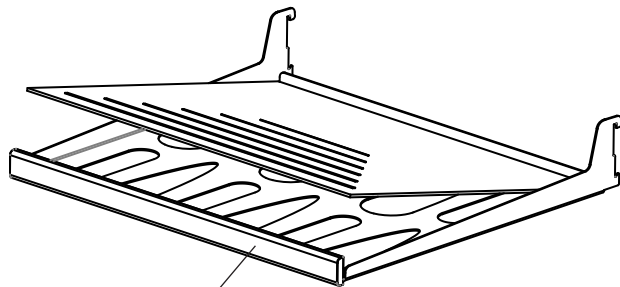


Figure 17

Wine shelf underneath glass

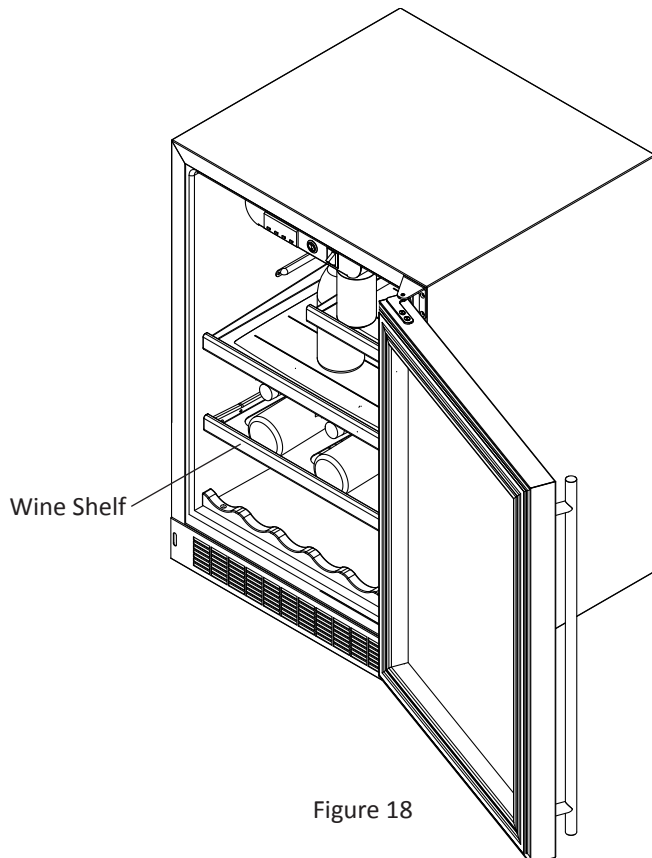


Figure 18

### The following suggestions will minimize the cost of operating your refrigeration appliance.

1. Do not install your appliance next to a hot appliance, (cooker, dishwasher, etc.), heating air duct, or other heat sources.
2. Install product out of direct sunlight.
3. Assure the toe grille vents at front of unit beneath door is not obstructed and kept clean to allow ventilation for the refrigeration system to expel heat.
4. Plug your appliance into a dedicated power circuit. (Not shared with other appliances).
5. When initially loading your new product, or whenever large quantities of warm contents are placed within refrigerated storage compartment, minimize door openings for the next 12 hours to allow contents to pull down to compartment set-point temperature.
6. Maintaining a relatively full storage compartment will require less appliance run time than an empty compartment.
7. Assure door closing is not obstructed by contents stored in your appliance.
8. Allow hot items to reach room temperature before placing in product.
9. Minimize door openings and duration of door openings.
10. Use the warmest temperature control set-point that meets your personal preference and provides the proper storage for your stored contents.
11. Minimize use of display lighting option on glass door products, (light stays on with door closed).
12. When on vacation or away from home for extended periods, set the appliance to warmest acceptable temperature for the stored contents.
13. Set the control to the "off" position if cleaning the unit requires the door to be open for an extended period of time.
14. Annually clean condenser heat exchange coil located in machine compartment underneath unit, (see "Care and Cleaning" page 14).

# CARE AND CLEANING OF YOUR BEVERAGE AND WINE REFRIGERATOR

## Condenser Cleaning

### **⚠ WARNING**

Disconnect the power cord before cleaning the condenser.

The tube and wire condenser underneath the cabinet does not require frequent cleaning; however, satisfactory cooling depends on adequate ventilation over this heat exchanger. It is recommended to annually clean the condenser by brushing and vacuuming. Access the condenser, from the front of the unit by removing the toe grille. (See Figure 18). Remove the 2 screws holding the toe grille in place with a phillips screwdriver. The condenser is located 2-1/2" (6.4cm) behind the toe grille on the left side of the cabinet. We recommend using a refrigerator coil cleaning brush to loosen the dust and dirt, then vacuuming.

Be sure that nothing obstructs the required air flow openings in front of the cabinet. (See page 4).

## Cabinet

The painted cabinet can be washed with mild soap and water and thoroughly rinsed with clear water. NEVER use abrasive scouring cleaners.

## Interior

Wash interior compartment with mild soap and water. Do NOT use an abrasive cleaner, solvent, polish cleaner or undiluted detergent.

## Shelving

The shelves may be cleaned with mild soap and water and a soft cloth. Do NOT use any abrasive cleaners. The glass may be removed for easier cleaning.

## Glass Door

Use a glass cleaner or mild soap and water and soft cloth to clean the glass door model. Do NOT use any abrasive cleaners.

## Door Gasket

The vinyl gasket may be cleaned with mild soap and water, a baking soda solution or a mild scouring powder.

## Light Bulb Replacement

### **⚠ WARNING**

DISCONNECT THE POWER CORD BEFORE ATTEMPTING LIGHT BULB REPLACEMENT. Failure to do so may result in an electrical shock that could severely injure you.

The 6GARM uses one, 15 watt incandescent light bulb to illuminate the interior of the refrigerator. The light bulb is a very reliable electrical component, but should it not function properly, please call the dealer where you purchased your refrigerator for a replacement light bulb. Use only an original equipment light bulb from your dealer or AGA MARVEL.

### **⚠ WARNING**

Do NOT under any circumstance use a light bulb that exceeds 15 watts!

To replace the light bulb, disconnect power to the unit. Unscrew the old light bulb located behind the display housing at the top of the unit. Set the old light bulb aside. Screw the new light bulb into place. Reconnect power to the unit. Check to see if the light bulb operates properly to complete the installation.

The light bulb is not covered by your warranty. A replacement bulb can be obtained from your dealer or from AGA MARVEL.

## In the Event of a Power Failure

If a power failure occurs, try to correct it as soon as possible. Minimize the number of door openings while the power is off so as not to adversely affect the unit's temperature.

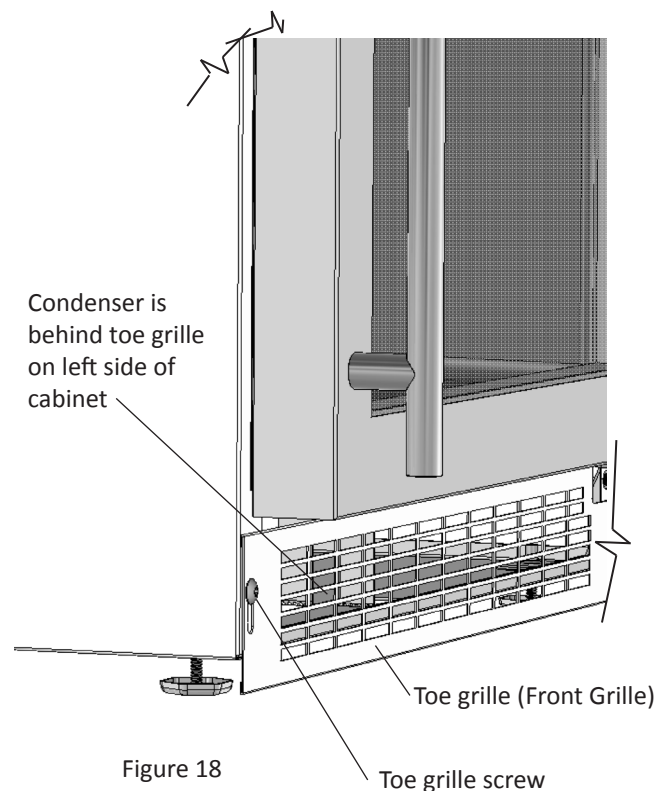


Figure 18

## TROUBLESHOOTING YOUR BEVERAGE AND WINE REFRIGERATOR

### Before you call for service

If the unit appears to be malfunctioning, read through this manual first. If the problem persists, check the troubleshooting guide below. Locate the problem in the guide and refer to the cause and its remedy before calling for service. The problem may be something very simple that can be solved without a service call. However, it may be required to contact your dealer or a qualified service technician.

### **WARNING**

**Electrocution Hazard** - Never attempt to repair or perform maintenance on the unit until the main electrical power has been disconnected. Turning the units control “off” does not remove electrical power from the units wiring.

Problem	Possible Cause	Remedy
Unit not cold enough  Adjust temperatures (See “Set Temperatures” on page 6)	<ul style="list-style-type: none"> <li>• Control set too warm</li> <li>• Content temperature not stabilized.</li> <li>• Excessive usage or prolonged door openings.</li> <li>• Airflow to front grille blocked.</li>   <li>• Door gasket not sealing properly.</li> </ul>	<ul style="list-style-type: none"> <li>• Adjust temperature colder. Allow 24 hours for temperature to stabilize.</li> <li>• Allow temperature to stabilize for at least 24 hours.</li> <li>• Airflow must not be obstructed to front grille. See “clearances” on page 4.</li> <li>• Check door alignment and/or replace door gasket.</li> </ul>
Unit too cold  Adjust temperatures (See “Set Temperatures” on page 6)	<ul style="list-style-type: none"> <li>• Control set too cold</li>   <li>• Door gasket not sealing properly.</li> </ul>	<ul style="list-style-type: none"> <li>• Adjust temperature warmer. (See page 6, “set temperature”). Allow 24 hours for temperature to stabilize.</li> <li>• Check door alignment and/or replace door gasket.</li> </ul>
No interior light.	<ul style="list-style-type: none"> <li>• Failed light bulb</li> </ul>	<ul style="list-style-type: none"> <li>• Replace light bulb, see page 14.</li> </ul>
Light will not go out when door is closed	<ul style="list-style-type: none"> <li>• Door not activating light switch.</li>   <li>• Display light is turned on.</li> </ul>	<ul style="list-style-type: none"> <li>• Unit not level, level unit, (See page 4, “leveling legs”)</li> <li>• Verify the door is aligned properly, refer to page 9 for instructions.</li> <li>• Turn off display light, shut door.</li> </ul>
Noise or Vibration	<ul style="list-style-type: none"> <li>• Unit not level</li> </ul>	<ul style="list-style-type: none"> <li>• Level unit, see “Leveling Legs” on page 4.</li> </ul>
Unit will not run.	<ul style="list-style-type: none"> <li>• Unit turned off</li> <li>• Power cord not plugged in.</li> <li>• No power at outlet.</li> </ul>	<ul style="list-style-type: none"> <li>• Turn unit on. See “Starting your refrigerator” on page 6.</li> <li>• Plug in power cord.</li> <li>• Check house circuit.</li> </ul>

## OBTAINING SERVICE

### If Service is Required:

- If the product is within the first year warranty period please contact your dealer or call AGA MARVEL Customer Service at 800.223.3900 for directions on how to obtain warranty coverage in your area.
- If the product is outside the first year warranty period, AGA MARVEL Customer Service can provide recommendations of service centers in your area. A listing of authorized service centers is also available at [www.agamarvel.com](http://www.agamarvel.com) under the service and support section.
- In all correspondence regarding service, be sure to give the model number, serial number, (located on your refrigerator's serial plate) and proof of purchase.
- Try to have information or description of nature of the problem, how long the unit has been running, the room temperature, and any additional information that may be helpful in quickly solving the problem.
- Table C is provided for recording pertinent information regarding your product for future reference.

For Your Records	
Date of Purchase	
Dealer's name	
Dealer's Address	
Dealer's City	
Dealer's State	
Dealer's Zip Code	
Appliance Serial Number	
Appliance Model Number	
Date Warranty Card Sent (Must be within 10 days of purchase).	

Table C

# HOUSEHOLD PRODUCT WARRANTY

---

## Entire Product

### Limited One Year Parts and Labor Warranty

AGA MARVEL warrants that it will supply all necessary parts and labor to repair or replace in the end user's home or office, any component which proves to be defective in material or workmanship, subject to the condition and exclusions stated below, for a period of one year from the date of purchase by the end user.

## Additional Second Through Fifth Year

### Limited Parts Only Warranty

During the four years following expiration of the one year limited warranty, AGA MARVEL will supply replacement parts for the hermetically sealed refrigeration system which consists of the compressor, condenser, drier, connecting tubing and the evaporator that are proven to be defective due to workmanship or materials subject to the conditions and exclusions below.

The above warranties do not cover:

- Shipping costs of replacement parts or returned defective parts.
- Customer education or instructions on how to use the appliance.
- Any content loss due to product failure.
- Removal or installation of product.

Nor do the above warranties cover failure of this product or its components due to:

- Transportation or subsequent damages.
- Commercial use or use other than normal household or small office.
- Improper installation, misuse, abuse, accident or alteration, use of wiring not conforming to electrical codes, low or high voltages, failure to provide necessary maintenance, or other unreasonable use.

## Parts or Service

### Not Supplied or Designated by AGA MARVEL

The above warranties also do not apply if:

- The original bill of sale, deliver date, or serial number cannot be verified.
- Defective parts are not returned for inspection if so requested by AGA MARVEL.
- The refrigeration equipment is not in the possession of the original end use purchaser.

The warranties set forth herein are the only warranties extended by AGA MARVEL. Any implied warranties, including the implied warranty of merchantability, are limited to the duration of these express warranties. In no event shall AGA MARVEL be liable for any consequential or incidental damages or expenses resulting from breach of these or any other warranties, whether express or implied.

Some states do not allow the exclusion or limitation of consequential damages or a limitation on how long an implied warranty lasts, so the above exclusion or limitation may not apply to you. This warranty gives you specific legal rights and you may have other rights that may vary from state to state.

No person, firm, or corporation is authorized to make any other warranty or assume any other obligation for AGA MARVEL. These warranties apply only to products used in any of the fifty states of the United States and the District of Columbia.

To obtain performance of this warranty, report any defects to:

### **AGA MARVEL**

1260 E. VanDeinse St.  
Greenville MI 48838

Phone: 800.223.3900

## NOTES

---

## NOTES

---



[www.agamarvel.com](http://www.agamarvel.com)

**AGA MARVEL**

1260 E. VanDeinse St.  
Greenville MI 48838

800.223.3900

41012375-EN Rev A  
4/1//2011

All specifications and product designs subject to change without notice. Such revisions do not entitle the buyer to corresponding changes, improvements, additions, replacements or compensation for previously purchased products.

Instructions  
d'installation,  
d'utilisation  
et  
d'entretien

Réfrigérateur pour boissons  
Série Luxury  
Pro+

**6GARM**  
**6GARMP**



# CONTENU

Déballage de votre réfrigérateur pour boissons.....	3
Enlèvement de l'emballage.....	3
Enregistrement de la garantie.....	3
Installation de votre réfrigérateur pour boissons.....	4
Choix de l'emplacement .....	4
Écartement par rapport à l'armoire .....	4
Pieds de mise à niveau.....	4
Raccordement électrique.....	5
Utilisation de votre commande MicroSentry™ .....	6
Dimensions de porte vitrée.....	7
Dimensions brutes d'ouverture recommandées pour porte vitrée.....	7
Dimensions pour porte à revêtement vitré.....	8
Dimensions brutes d'ouverture recommandées.....	8
Instructions d'installation de panneau de revêtement complet.....	9
Étagères du compartiment de rangement.....	12
Étagère pour bouteilles de vin.....	13
Conseils pour les économies d'énergie.....	13
Entretien et nettoyage .....	14
Nettoyage du passage d'air de condenseur.....	14
Nettoyage de l'armoire.....	14
Nettoyage de l'intérieur.....	14
Nettoyage des étagères.....	14
Nettoyage du joint de porte.....	14
Remplacement de l'ampoule d'éclairage.....	14
Guide de dépannage.....	15
Obtention de service.....	16
Garantie de produit à usage domestique.....	17

**AGA MARVEL** s'engage à fabriquer un produit de qualité d'une manière ne nuisant pas à l'environnement. Nos procédés sont sévèrement contrôlés et surveillés de près. Nous avons obtenus les certifications ISO 9001 d'assurance qualité, et ISO 14001 de gestion environnementale, et OHSAS 18001 pour hygiène et sécurité du travail de Lloyd's Register Quality Assurance.



# DÉBALLAGE DE VOTRE RÉFRIGÉRATEUR POUR BOISSONS

## Importantes instructions de sécurité

Les avertissements et les instructions de sécurité qui apparaissent dans ce guide n'ont pas la prétention de couvrir toutes les conditions et situations possibles pouvant arriver. Il faut faire preuve de bon sens, de précautions et de soins, pour installer, utiliser ou entretenir cet appareil.

## Reconnaissance des symboles, des mots et des étiquettes concernant la sécurité.

### ⚠ ATTENTION

**ATTENTION**—Risques ou pratiques dangereuses pouvant entraîner des blessures individuelles, des dégâts matériels ou des dommages au produit.

### ⚠ AVERTISSEMENT

**AVERTISSEMENT**—Risques ou pratiques dangereuses pouvant entraîner des blessures individuelles.

### REMARQUE

**REMARQUE**—Information importante pour réaliser une installation sans problèmes.

## Enlèvement de l'emballage

Votre réfrigérateur pour boissons a été emballé pour l'expédition avec toutes les pièces pouvant être endommagées par le mouvement solidement attachées. Coupez le matériau de fixation en bas du carton, dépliez le carton par le bas et enlevez-le de l'appareil. Enlevez le sac en plastique, les cales d'angle en polystyrène expansé, et toutes les bandes adhésives maintenant la porte fermée et les composants à l'intérieur en place. Le manuel de l'utilisateur est envoyé à l'intérieur du réfrigérateur pour boissons dans un sac en plastique, accompagné de la carte d'enregistrement de la garantie.

## Important

Conservez votre carton d'emballage jusqu'à ce que votre réfrigérateur pour boissons ait été complètement inspecté et trouvé en bon état. S'il présentait des dommages, cet emballage serait nécessaire comme preuve qu'ils sont survenus durant le transit. Ensuite, veuillez mettre toutes les parties de l'emballage au rebut de façon responsable, en particulier les sacs en plastique qui constituent un danger d'étouffement.

## Note pour le client

Cette marchandise a été soigneusement et complètement inspectée avant de quitter notre usine. La responsabilité pour sa livraison sûre a été assumée par le revendeur à l'acceptation de cette expédition. Les réclamations pour perte ou dommages survenus durant le transit sont à adresser au revendeur.

NE RENVOYEZ PAS DE MARCHANDISE ENDOMMAGÉE AU FABRICANT –  
DÉPOSEZ UNE RÉCLAMATION AUPRÈS DU REVENDEUR.

### ⚠ ATTENTION

Si l'appareil a été livré étant sur le dos, ou y est restée pendant une durée quelconque, laissez le réfrigérateur pour boissons reposer debout pendant au moins 24 heures avant de la brancher électriquement. Cela assurera le retour de l'huile au compresseur. Un branchement immédiat du réfrigérateur pour boissons pourrait endommager des parties internes.

## Enregistrement de la garantie

Il est important que vous postiez votre carte de garantie immédiatement après avoir pris livraison de votre réfrigérateur pour boissons.

Les informations suivantes seront nécessaires au moment de l'enregistrement de votre unité :

Référence de modèle

Numéro de série

Date d'achat

Nom et adresse du revendeur

La référence de modèle et son numéro de série se trouvent sur la plaque signalétique qui est située dans le réfrigérateur pour boissons, du côté gauche vers le haut du revêtement (Voir la Figure 1).

<b>MARVEL</b>					
GREENVILLE, MICHIGAN 48838					
MODEL NO.		REV.		SERIAL NO.	
XXXXXXXX		[ ]		XXXXXXXX	
VOLTS	[ ]	HZ	[ ]	PH	[ ]
		BTU/HR	[ ]	AMPS	[ ]
R 134A	[ ]	OZ	TEST PRESSURE		PSI LOW SIDE PSI HIGH SIDE

Figure 1

### ⚠ ATTENTION

## Contribuez à éviter des tragédies

L'emprisonnement d'enfants et leur asphyxie ne sont pas des problèmes du passé. Des épaves de réfrigérateurs abandonnés continuent de présenter un danger - même en restant dehors pour "juste quelques jours".

Si vous devez vous débarrasser de votre vieille unité de refroidissement, veuillez suivre ces instructions pour aider à éviter des accidents possibles.

Avant de jeter votre vieux réfrigérateur ou congélateur :

- Démontez ses portes ou enlevez ses tiroirs.
- Laissez les étagères en place de façon à ce que des enfants ne puissent pas facilement monter dedans.

# INSTALLATION DE VOTRE RÉFRIGÉRATEUR POUR BOISSONS

## Choix de l'emplacement

Un bon emplacement assurera une performance de pointe pour votre appareil. Nous recommandons un endroit où l'appareil ne sera pas exposé directement au rayonnement solaire et restera écartée de sources de chauffage. Pour assurer que les performances de votre produit soient au niveau de ses spécifications, la plage de températures recommandée au lieu d'installation à l'intérieur sera de 65 à 80°F (18 à 27 °C) pour des unités intégrées, et de 65 à 90°F (18 à 32 °C) pour des unités autonomes.

## Écartements par rapport à l'armoire

Une ventilation est nécessaire depuis la section frontale du bas de l'appareil. Gardez cette zone libre et exempte de toutes obstructions. Des meubles et comptoirs peuvent être installés autour de l'appareil de façon adjacente dans la mesure où l'accès à sa grille et sa porte resteront non obstrués.

## Pieds de mise à niveau

Des pieds réglables aux angles avant et arrière de l'appareil doivent être ajustés pour qu'il soit fermement positionné au sol et bien d'aplomb, d'un côté à l'autre et d'avant en arrière. La hauteur totale de votre réfrigérateur pour boissons Marvel peut être ajustée entre 33-7/8" (86,1cm) quand ses pieds de mise à niveau sont vissés, et 34-3/4" (88,3 cm) quand ils sont sortis.

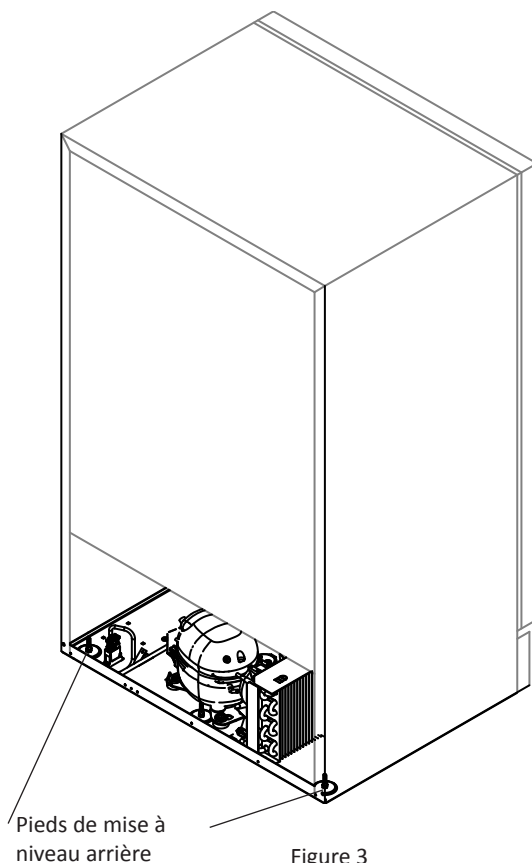
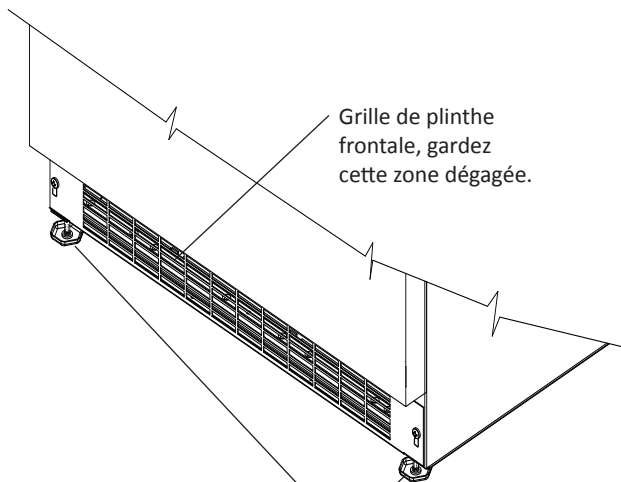
Pour régler ces pieds de mise à niveau, placez le réfrigérateur sur une surface solide, en protégeant le sol en dessous pour ne pas le rayer. Avec l'aide d'une autre personne, inclinez vers l'arrière le réfrigérateur pour boissons pour accéder aux pieds de mise à niveau de l'avant. Levez ou abaissez ces pieds à la hauteur requise en les tournant. Répétez la procédure pour les pieds arrière en inclinant le réfrigérateur vers l'avant en faisant attention. Sur une surface plane, vérifiez le niveau du réfrigérateur et ajustez les pieds en conséquence.

Les vis de la grille frontale (grille de plinthe) peuvent être desserrées et la grille ajustée à la hauteur voulue. Quand le réglage est fait, resserrez les vis de la grille de plinthe (Voir la Figure 4).

## ⚠ ATTENTION

### Grille frontale

N'obstruez pas la grille frontale. Les ouvertures au travers de la grille frontale permettent l'écoulement de l'air par l'échangeur thermique du condenseur. Des restrictions de ce flux d'air vont augmenter la consommation d'énergie et affecter sa capacité de refroidissement. C'est pourquoi, il est important que cette zone ne soit pas obstruée et soit maintenue propre. AGA MARVEL recommande de ne pas utiliser de grilles personnalisées, car l'écoulement d'air en serait diminué du fait d'ouvertures insuffisantes (Voir la Figure 2).



# CONNEXION ÉLECTRIQUE

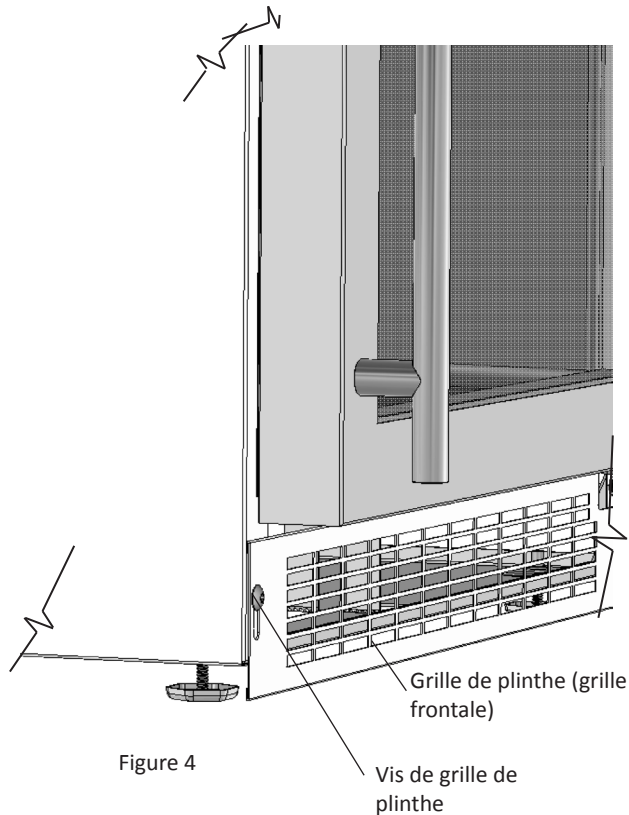


Figure 4

## ⚠ ATTENTION

- **N'envoyez pas d'eau par éclaboussure ou par jet d'un tuyau sur le réfrigérateur pour boissons. Cela pourrait causer une commotion électrique, entraînant potentiellement des blessures graves voire mortelles.**
- **Cette unité ne doit sous aucun prétexte être installée sur une alimentation électrique sans liaison de terre.**

## Raccordement électrique

Un circuit secteur dédié en 115 V supportant 15 A est nécessaire.

Ce produit est équipé en usine d'un cordon secteur comportant une fiche avec terre à trois broches. Il faut la brancher dans une prise secteur correspondante avec terre, en conformité avec la norme électrique américaine et les normes et réglementations locales applicables (Voir la Figure 5). Si le circuit ne comporte pas une prise avec terre, le client doit en fournir une adéquate, c'est sa responsabilité. La troisième broche de terre ne doit en aucun cas être coupé ou enlevée.

## ⚠ ATTENTION

**N'utilisez pas de rallonge secteur avec cet appareil.**

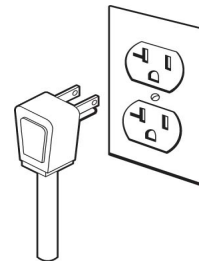


Figure 5

Cette unité doit être installée en conformité avec vos normes de construction et réglementations locales.

## REMARQUE

Un disjoncteur sur détection de courant de fuite (GFCI) provoque des déclenchements intempestifs qui arrêtent l'appareil. Ce type de protection n'est en général pas utilisé sur de l'équipement électrique qui doit tourner sans surveillance pendant de longues périodes, sauf si c'est imposé par les normes de construction et réglementations locales.

# UTILISATION DE VOTRE COMMANDE MICROSENTRY™ DE RÉFRIGÉRATEUR POUR BOISSONS

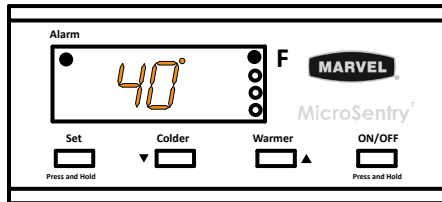
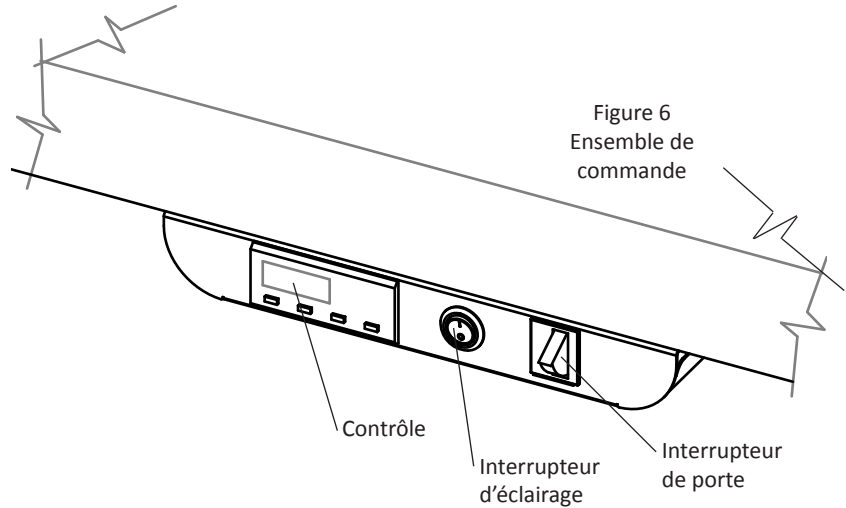


Figure 7  
Vue rapprochée  
du contrôle



## Démarrage de votre réfrigérateur pour boissons

Branchez le cordon secteur de votre réfrigérateur pour boissons dans une prise murale. Il va commencer à refroidir quelques secondes après l'application de l'alimentation électrique. S'il ne démarrait pas, vérifiez que l'appareil est mis sur marche et que son point de consigne de température est assez froid.

## Mise en marche et à l'arrêt (ON/OFF) de votre réfrigérateur pour boissons

Si le réfrigérateur est en marche, sa température intérieure sera indiquée à l'affichage. Pour arrêter le réfrigérateur pour boissons, appuyez sur le bouton "ON/OFF" et maintenez-le enfoncé pendant trois (3) secondes. "OFF" va apparaître à l'affichage.

Si le réfrigérateur est à l'arrêt, "OFF" sera indiqué à l'affichage. Pour mettre en marche le réfrigérateur pour boissons, appuyez sur le bouton "ON/OFF" et maintenez-le enfoncé pendant trois (3) secondes. La température intérieure du réfrigérateur pour boissons sera indiquée à l'affichage.

## Fixation de la température de consigne

Pour fixer la température du réfrigérateur pour boissons, appuyez sur le bouton "SET" et maintenez-le enfoncé. Quand le bouton "SET" est enfoncé, l'affichage va donner la température de consigne. Tout en maintenant l'appui sur le bouton "SET", appuyez sur le bouton "WARMER" ou "COLDER" pour que cette consigne soit plus chaude ou plus froide.

## Fonctionnement du réfrigérateur pour boissons

La plage de température disponible du réfrigérateur pour boissons va de 35 à 43 °F.

Cela peut prendre jusqu'à 24 heures pour que votre réfrigérateur atteigne la température voulue. Cela va dépendre de la quantité chargée dedans et du nombre d'ouvertures et de fermetures de porte.

Pour obtenir les meilleurs résultats, laissez le réfrigérateur tomber à la température de consigne avant de le charger. Une fois le contenu chargé, laissez 48 heures pour que la température se stabilise avant de procéder à tout réglage sur le point de consigne.

## Alertes

Votre contrôle MicroSentry™ du réfrigérateur pour boissons va surveiller son fonctionnement et vous prévenir par une série d'alertes sonores et visuelles.



- **Alerte sur porte non refermée:** Si la porte est laissée ouverte pendant plus de cinq (5) minutes, l'alerte va retentir à des intervalles d'une (1) seconde. Le panneau d'affichage va faire clignoter "do" et le voyant DEL sera allumé en fixe avec couleur ambre. Cela va cesser dès que la porte est refermée.



- **Défaut de détecteur de température :** Si le contrôleur réalise qu'un détecteur de température ne fonctionne pas correctement, une alerte pour détecteur de température va retentir. "E1" ou "E2" va clignoter à l'affichage, et une alerte sonore sera entendue.

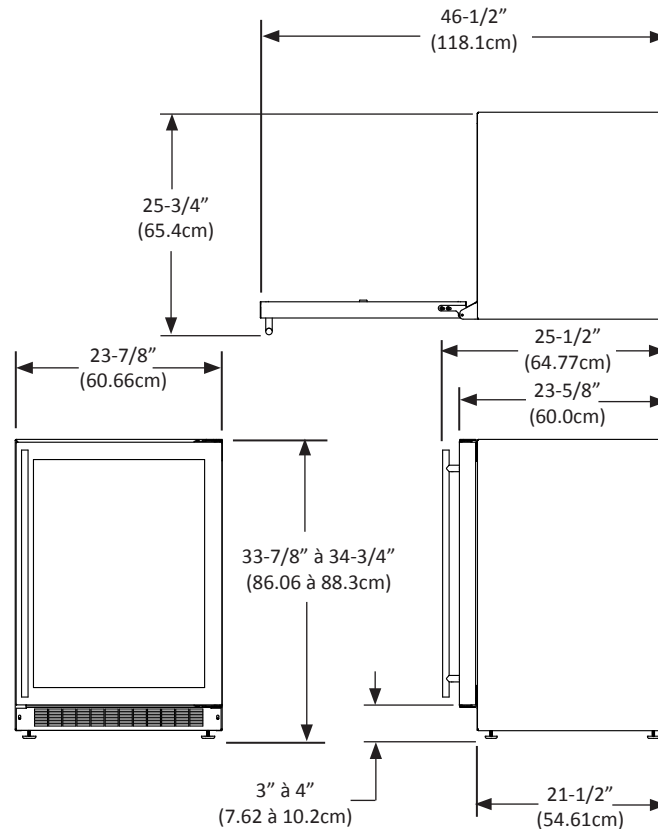


Veillez appeler le service à la clientèle d'AGA MARVEL ou votre revendeur si ce code d'erreur est affiché.

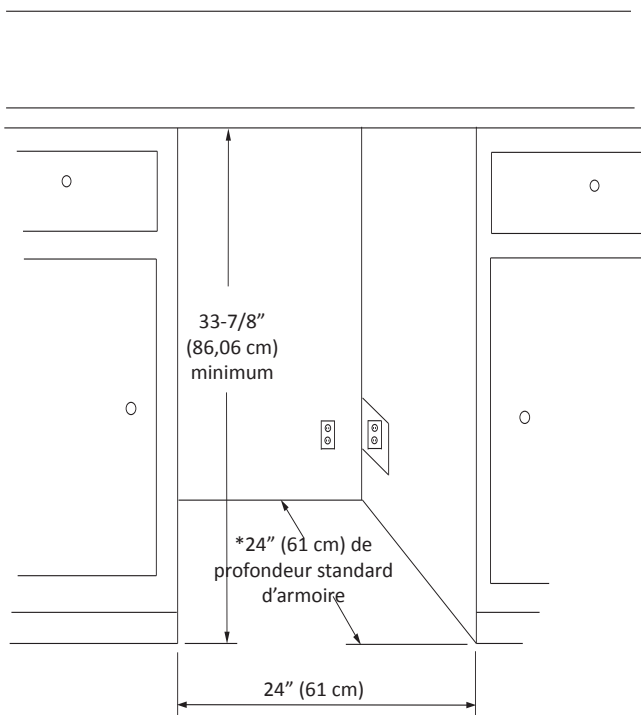
## Mise en sourdine d'alertes

Appuyez sur n'importe quelle touche pour rendre silencieuse la partie sonore d'une alerte. REMARQUE – Cette action ne va que mettre l'alerte en sourdine. Si la condition qui a causé l'alerte persiste, le code d'alerte va continuer de clignoter et il y aura un rappel sonore de 20 secondes toutes les 60 minutes.

## DIMENSIONS DE PORTE VITRÉE



## DIMENSIONS BRUTES D'OUVERTURE POUR PORTE VITRÉE



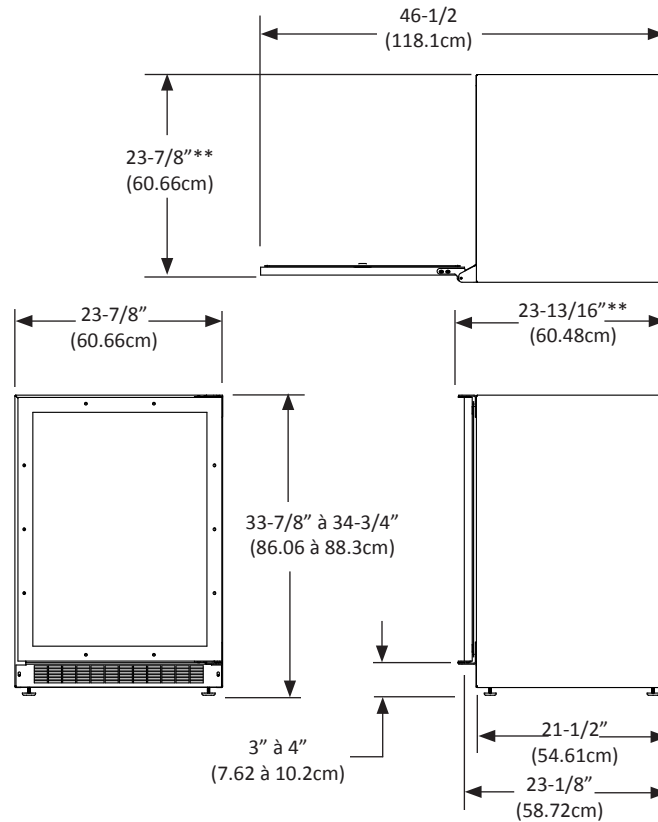
### ⚠ ATTENTION

Besoins électriques : Un circuit secteur dédié en 115 V/15 A avec terre.

La prise secteur peut être située sur la cloison arrière derrière l'appareil. Ajoutez 1" (2,5 cm) de profondeur pour l'épaisseur de prise, ou encastrez la prise de cette épaisseur dans la cloison. La prise secteur peut aussi être installée dans un meuble adjacent avec une découpe pour le passage du cordon d'alimentation. Respectez toutes les normes de construction locales pour l'installation électrique et de l'appareil.  
Poids du produit = 130 lbs. (59,1 kg)

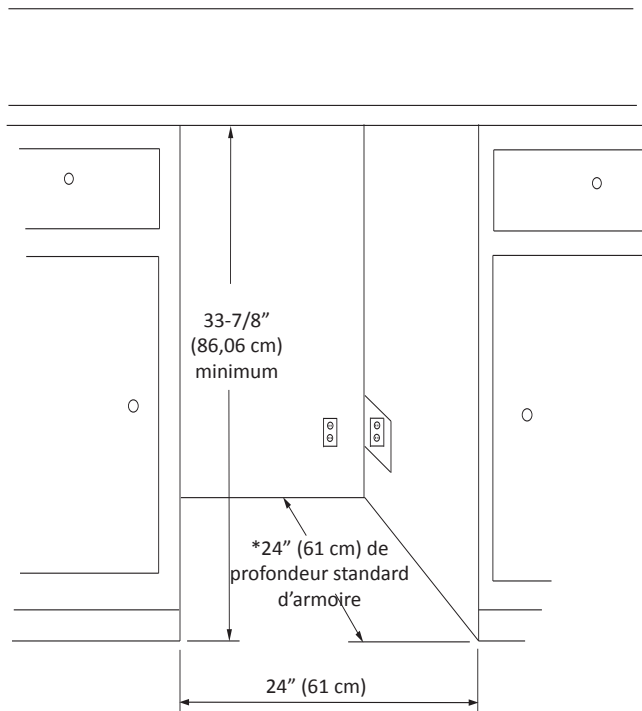
\* La dimension de profondeur peut varier selon chaque installation individuelle.

## DIMENSIONS DE PORTE À REVÊTEMENT VITRÉ



\*\*La dimension inclut un panneau de revêtement de 3/4" d'épaisseur

## DIMENSIONS BRUTES D'OUVERTURE POUR PORTE À REVÊTEMENT VITRÉ



### ATTENTION

Besoins électriques : Un circuit secteur dédié en 115 V/15 A avec terre.

La prise secteur peut être située sur la cloison arrière derrière l'appareil. Ajoutez 1" (2,5 cm) de profondeur pour l'épaisseur de prise, ou encastrez la prise de cette épaisseur dans la cloison. La prise secteur peut aussi être installée dans un meuble adjacent avec une découpe pour le passage du cordon d'alimentation. Respectez toutes les normes de construction locales pour l'installation électrique et de l'appareil.

Poids du produit = 130 lbs. (59,1 kg)

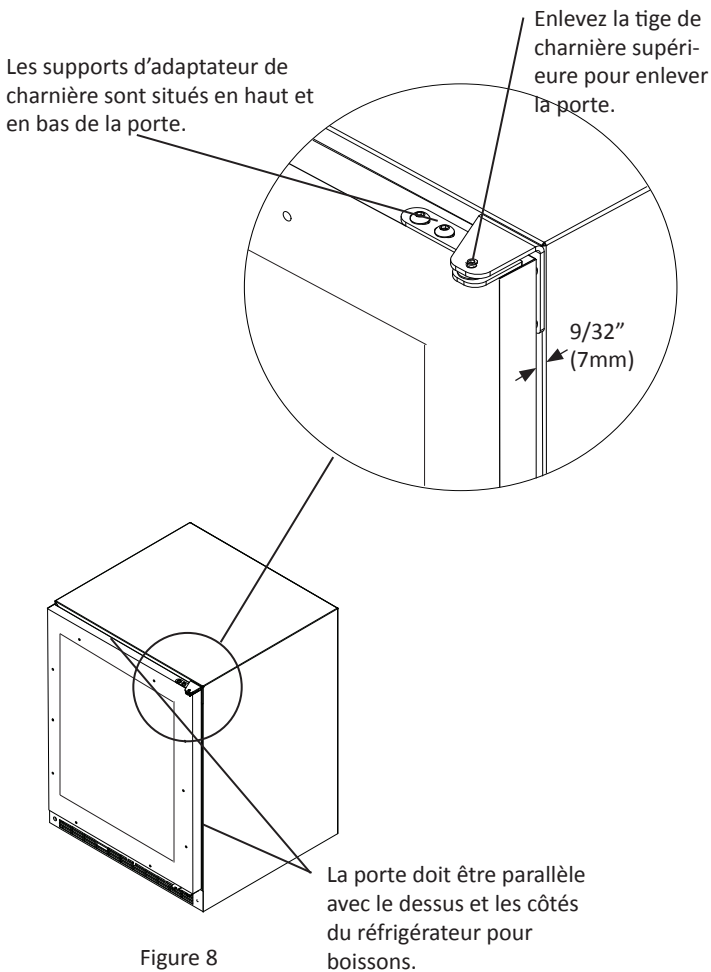
\* La dimension de profondeur peut varier selon chaque installation individuelle.

# INSTRUCTIONS D'INSTALLATION DE PANNEAU DE REVÊTEMENT COMPLET

## ⚠ ATTENTION

### Étape 1 : Vérifiez l'alignement de la porte

Vérifiez que la porte est alignée avec l'armoire avant la fabrication du panneau sur mesures. Sinon vous risquez un manque d'alignement de ce panneau sur mesures avec le support de charnière. Si un alignement est nécessaire, la porte peut être réglée en desserrant les deux vis qui tiennent les supports d'adaptateur de charnière en haut et en bas de la porte, et en ajustant la porte d'un côté à l'autre. Utilisez une clé Allen de 5/32" pour cette procédure (Voir la Figure 8 qui suit). Quand vous avez fini d'aligner la porte, resserrez bien ces vis.



### Étape 4 : Découpez le panneau de revêtement

Selon le modèle de réfrigérateur pour boissons, découpez le panneau de revêtement aux dimensions montrées. Utilisez la Figure 9 et le Tableau A pour les modèles de porte vitrée.

Les portes pleines non-vitrées utiliseront les mêmes dimensions en hauteur et largeur que la porte vitrée. Le centre du panneau plein sur mesures ne sera pas alors enlevé.

## REMARQUE

Pour un revêtement avec option de verrouillage, l'épaisseur de panneau sera comprise entre 3/4" (19 mm) maximum et 5/8" (16 mm) minimum.

## ⚠ ATTENTION

Le poids du panneau de revêtement ne devra pas dépasser 20 lbs. (9,1 kg).

## REMARQUE

Pour que la porte ferme correctement, il est nécessaire de maintenir un espace au minimum de 9/32" (7 mm) entre la porte et le rebord d'armoire (Voir la Figure 8). Cet espace peut être changé en ajustant les supports d'adaptateur de charnière du haut et du bas.

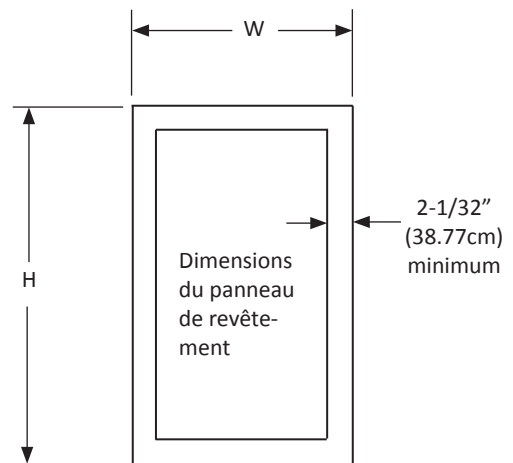


Figure 9  
Modèles à porte vitrée et à porte solide

Modèle	W	H
6GARM	23-5/8" (60.0cm)	30-3/8" (77.17cm)

Tableau A  
Modèles à porte vitrée et à porte solide

### Étape 2 : Enlevez la porte

Ôtez la tige de charnière supérieure avec une clé Allen de 1/8". Sortez la porte en inclinant son haut vers l'extérieur et en la soulevant pour la sortir de la charnière inférieure (Voir le détail en Figure 8).

### Étape 3 : Enlevez le joint

Posez la porte sur sa face avant soigneusement pour ne pas la rayer. Sortez le joint de porte en le pelant et en le tirant hors de son canal.

# INSTRUCTIONS D'INSTALLATION DE PANNEAU DE REVÊTEMENT COMPLET

## Étape 5 : Percez des trous de passage dans le panneau de revêtement

Posez le panneau de revêtement sur la face avant de la porte, alignez les bords et maintenez les deux ensemble. Maintenez fermement le panneau faites attention de ne pas abîmer la porte ou le panneau. Marquez le centre du trou d'adaptateur de charnière sur le panneau en bois, en haut et en bas (Voyez la Figure 10). Enlevez le panneau en bois de la porte et percez des trous de passage de diamètre 5/16" (8 mm) dans le panneau sur une profondeur de 3/4" (20 mm). Ce seront les trous de passage pour les tiges de charnière du haut et du bas.

C'est également le bon moment pour localiser et percer les trous de votre poignée. Le plus souvent cette poignée doit être similaire à celles du mobilier environnant. Si votre poignée se fixe depuis la face arrière du panneau personnalisé, localisez les trous de montage pendant que le panneau est maintenu sur la porte et l'armoire. Une fois le panneau retiré de la porte, percez les trous de montage depuis la face avant, au diamètre recommandé par le fabricant de poignée. Fraisez sur la face arrière du panneau de façon à ce que les têtes de vis n'interfèrent pas avec la surface de la porte.

## Étape 6 : Percez les trous de montage du panneau

Maintenez à nouveau le panneau sur la porte comme à l'étape précédente et percez les avant-trous de vis, situés dans le canal de joint, afin de fixer le panneau de revêtement à la porte. Choisissez la taille du trou à partir du Tableau B. Veillez à ne pas percer ces avant-trous en traversant le panneau de revêtement, 1/2" (12,7 mm) de profondeur pour des panneaux de 3/4" (19 mm) et 5/8" (15,7 mm).

Type de matériau	Avant-trou pour vis à bois #8
Bois dur	Avant trou $\varnothing$ 1/8" (3,2 mm)
Bois tendre	Avant trou $\varnothing$ 7/64" (2,8 mm)

Tableau B

## REMARQUE

Si votre réfrigérateur pour boissons possède un verrouillage de porte, passez à l'étape 7. Sinon sautez directement à l'étape 9.

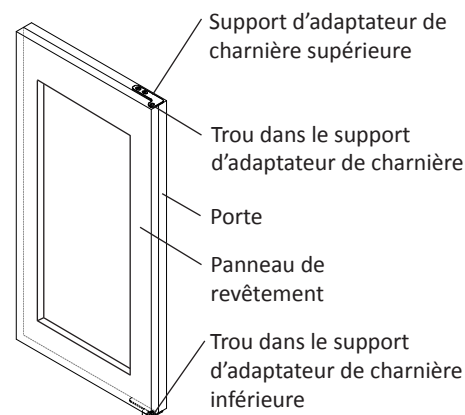


Figure 10  
Porte vitrée  
montrée

## Étape 7 : Marquez et percez le trou pour verrouillage (s'il y a lieu)

Localisez et marquez avec un crayon l'emplacement du trou de verrouillage sur le panneau de revêtement, c'est le trou dans l'angle supérieur du côté de la poignée de la porte. Enlevez le dispositif de maintien et enlevez le panneau de revêtement de la porte. Sur la face arrière du panneau où vous avez marqué l'emplacement de verrouillage, percez un contre-alésage de 7/16" (11,0 mm) de profondeur dans le panneau de revêtement. Percez un trou de diamètre 15/32" (12,0 mm) dans le panneau de revêtement au milieu de ce contre-alésage en prenant soin de ne pas faire éclater le bois sur la face avant du panneau (Voir la Figure 11).

## Étape 8 : Assemblez les pièces de verrouillage (s'il y a lieu)

Deux (2) extensions de verrouillage sont fournies avec le verrou. Utilisez l'extension la plus longue pour un panneau de revêtement d'épaisseur 3/4" et la plus courte pour un panneau d'épaisseur 5/8". Assemblez l'extension de verrouillage, une rondelle d'arrêt de came, une rondelle élastique et une vis de fixation sur le verrou comme montré aux Figures 11 et 12. Installez cet ensemble sur le panneau de revêtement avec l'écrou de maintien en utilisant une douille de 15 mm. Assurez-vous que la fente en trou de serrure du verrou est verticale.

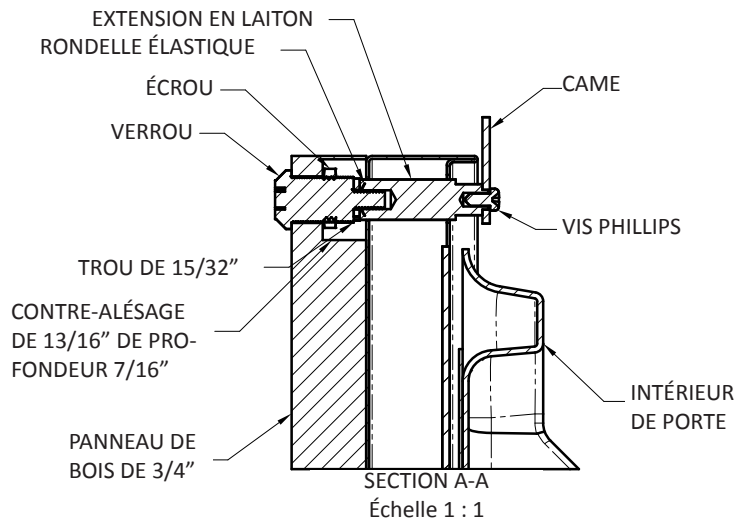


Figure 11

# INSTRUCTIONS D'INSTALLATION DE PANNEAU DE REVÊTEMENT COMPLET

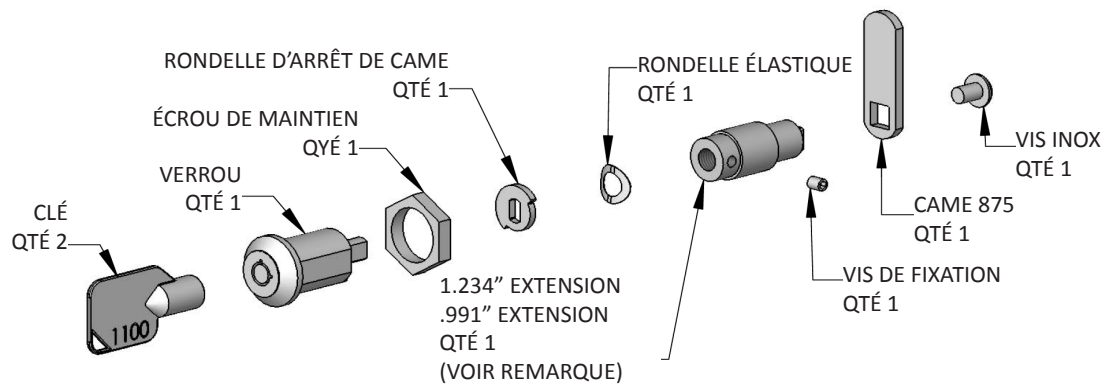


Figure 12

## Étape 9 : Fixez le panneau de revêtement sur la porte

Avec les vis à bois #10 fournies, fixez le panneau de revêtement sur la porte (Voir la Figure 13).

## Étape 10 : Installez la came de verrouillage (modèles avec verrou uniquement)

Fixez la came de verrouillage à l'arrière de l'ensemble de verrou avec la vis d'assemblage à tête Phillips fournie. Orientez la came de verrouillage verticalement en installant le verrou.

## Étape 11 : Installez le joint de porte

Pressez le joint de porte dans le canal de la porte. Assurez-vous que les coins de joint sont bien insérés. Si c'est applicable, insérez une clé dans le verrou et vérifiez son bon fonctionnement.

## Étape 12 : Installation de la porte

Remettez les douilles d'adaptateur de charnière du haut et du bas (ôtées à l'étape 6) en place dans les adaptateurs de charnière. Installez la porte en inversant la procédure de l'étape 2. Remettez la tige de charnière du haut de façon à ce que la tête de vis soit au niveau de la surface supérieure de la charnière. Si c'est applicable, insérez une clé dans le verrou et vérifiez si la came de verrouillage accroche correctement l'étrier de retenue sur l'avant e l'armoire de réfrigérateur pour boissons.

Trou de passage au travers du canal de joint de porte

Vis à bois #10

Dos de porte

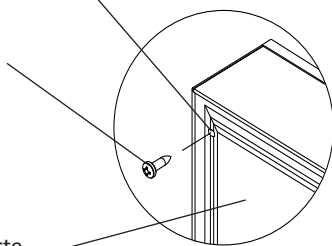


Figure 13

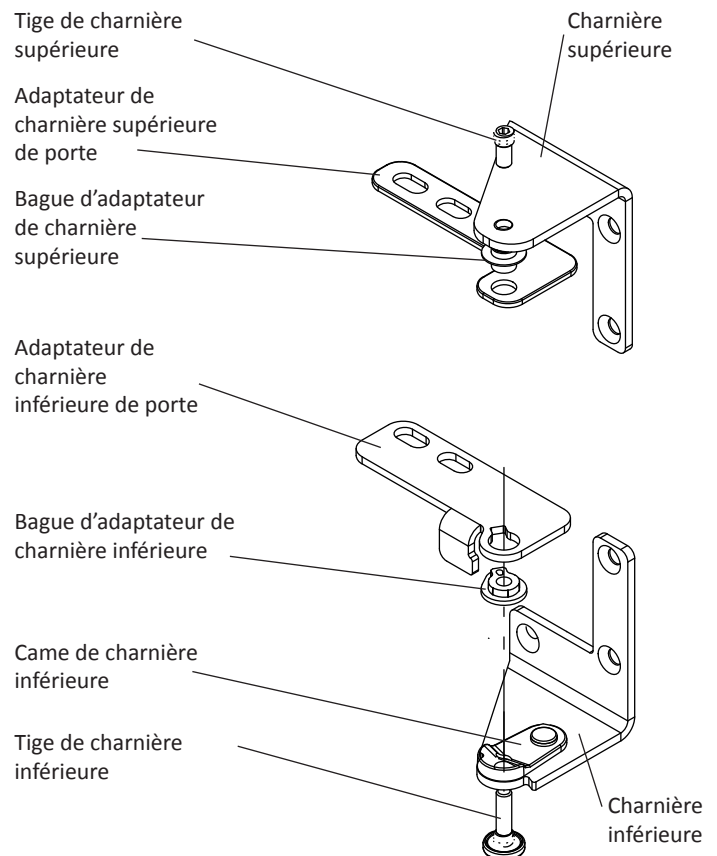


Figure 14  
Charnière montrées  
du côté droit

## AMÉNAGEMENT DU COMPARTIMENT DE RANGEMENT

### Conseils et suggestions de chargement

Votre produit est équipé d'un système d'étagères en porte-à-faux, pour vous fournir une ajustabilité maximale et des options de personnalisation via l'achat d'étagères en après-vente.

L'armoire de base est équipée de trois tablettes en verre qui peuvent se mettre n'importe où dedans. La demi-tablette en verre est pour ranger des bouteilles hautes ou des bouteilles de vin ouvertes de la tablette du dessous (Voir la Figure 15). Le berceau à bouteilles fixe en bois en bas de l'armoire peut contenir 6 bouteilles de vin. Ce berceau peut s'enlever pour ranger des bonbonnes de vin. Il suffit d'enlever deux (2) vis qui retiennent le berceau sur le plancher de l'armoire.

Les bouteilles ou les cannettes sur l'étagère du haut qui est sous l'éclairage peuvent subir une température légèrement supérieure quand l'éclairage est allumé. Positionnez vos produits en conséquence et **N'OUBLIEZ PAS D'ÉTEINDRE QUAND L'ÉCLAIRAGE N'EST PLUS NÉCESSAIRE.**

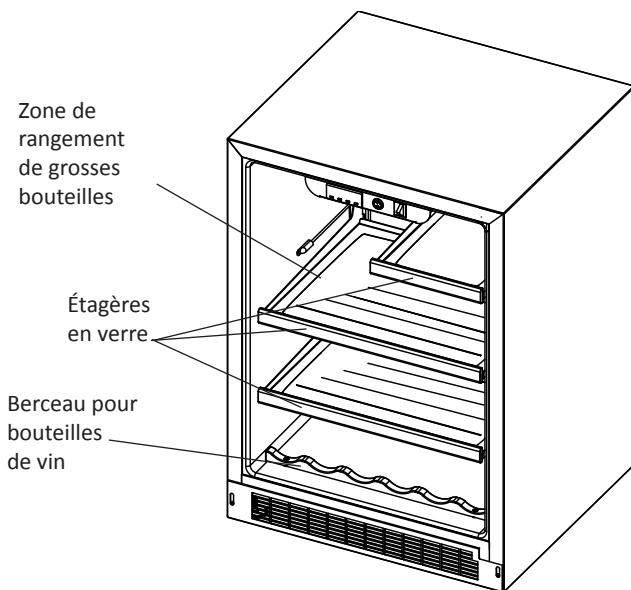


Figure 15

### Ajout ou enlèvement d'étagère

Sortez les produits conservés hors de l'étagère. N'essayez pas de sortir une étagère encore chargée de l'armoire. Prenez le devant de l'étagère avec les deux mains, faites pivoter l'avant vers le haut et sortez l'étagère (Voir la Figure 16). Pour installer une étagère, insérez-la dans l'appareil, entrez ses crochets dans les fentes de support, et abaissez l'étagère pour que les crochets passent par-dessous le bas des fentes.

#### REMARQUE

Assurez-vous que l'étagère est bien en place avant de la charger.

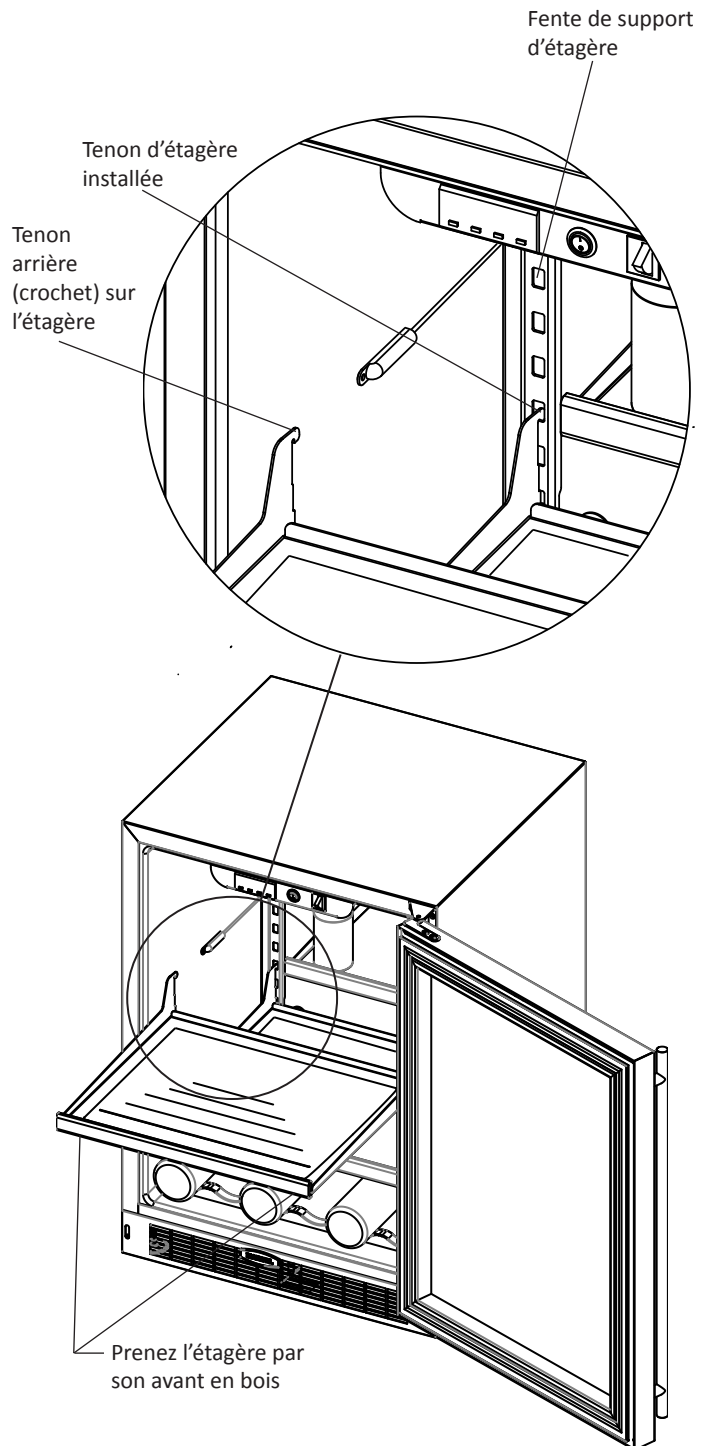


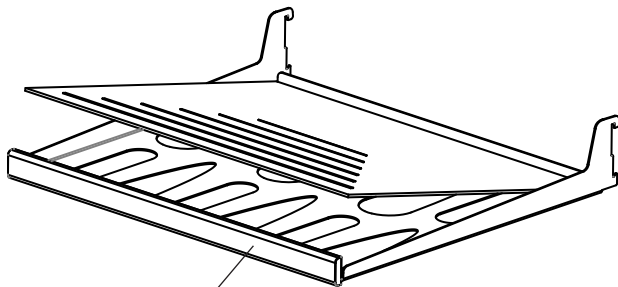
Figure 16

## CONSEILS D'ÉCONOMIE D'ÉNERGIE

### Étagère pour bouteilles de vin

Sous le verre des deux étagères de largeur complète sont les étagères de bouteilles de vin. Enlevez seulement le verre pour ranger votre vin en bouteille (Voir les Figures 17 et 18).

L'étagère à bouteilles peut en recevoir six. Conservez les vis que vous prévoyez de consommer quotidiennement ou pour une occasion sur la moitié frontale de l'étagère. Du fait de la température plus basse du réfrigérateur pour boissons, cette étagère à vins peut ne pas être appropriée pour de la conservation de longue durée de votre vin.



Étagère à vin sous le verre

Figure 17

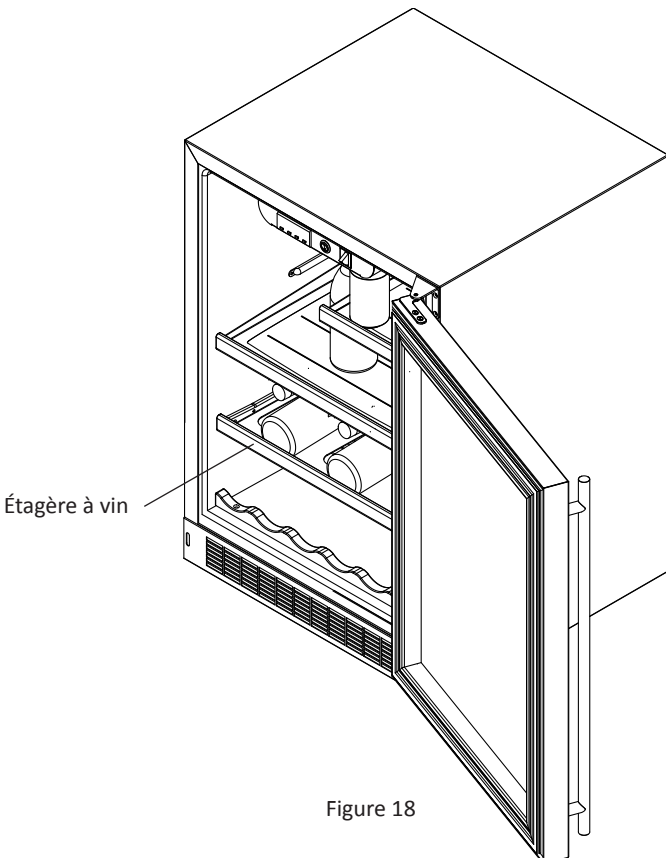


Figure 18

### Les suggestions suivantes vont minimiser le coût de fonctionnement de votre appareil de réfrigération

1. N'installez pas votre appareil près d'un appareil chaud (cuisinière, lave-vaisselle, etc.), d'une conduite d'air chaud ou d'autres sources de chaleur.
2. Installez l'appareil en dehors du rayonnement solaire direct.
3. Assurez-vous que les événements de la grille de plinthe devant l'appareil en bas de la porte ne sont pas obstrués et maintenus propres de façon à permettre une ventilation du système de refroidissement et chasser la chaleur.
4. Branchez votre appareil sur un circuit d'alimentation secteur dédié (Sans partage avec d'autres appareils).
5. Quand vous chargez initialement votre produit neuf, ou au cas où de grosses quantités de contenu tiède sont placées dans le compartiment de conservation au froid, minimisez les ouvertures de porte pendant les 12 heures qui suivent pour permettre au contenu de tomber à la température de consigne du compartiment.
6. En maintenant un compartiment d'entreposage relativement plein, il faut moins de périodes de fonctionnement en refroidissement de l'appareil qu'avec un compartiment vide.
7. Assurez-vous que la fermeture de porte n'est pas obstruée par des denrées entreposées dans votre appareil.
8. Permettez aux denrées chaudes de revenir à la température ambiante avant de les placer dans l'appareil.
9. Minimisez la fréquence et la durée des ouvertures de porte.
10. Utilisez le point de consigne de température le plus haut qui respecte votre préférence personnelle, et fournissez l'entreposage qui convient pour vos denrées conservées.
11. Minimisez l'utilisation de l'option d'éclairage pour les appareils à porte vitrée (ne laissez pas l'éclairage allumé avec la porte fermée).
12. Quand vous êtes en vacances ou loin de la maison pour des périodes prolongées, réglez la consigne de l'appareil à la température la plus haute admissible pour la conservation de son contenu.
13. Réglez le contrôle en position d'arrêt (off) si le nettoyage de l'appareil nécessite que sa porte reste ouverte pour une période longue.
14. Nettoyez tous les ans le serpentin d'échangeur thermique du condenseur dans le compartiment de la machine sous l'appareil (Voir les instructions d'entretien et de nettoyage en page 14).

# ENTRETIEN ET NETTOYAGE DE VOTRE RÉFRIGÉRATEUR POUR BOISSONS

## Nettoyage du condenseur

### ⚠ AVERTISSEMENT

Débranchez le cordon secteur avant de nettoyer le condenseur.

Le condenseur à tube et fil en-dessous de l'armoire ne nécessite pas de nettoyage fréquent, cependant le refroidissement dépend d'une bonne ventilation par-dessus son échangeur thermique. Il est recommandé de nettoyer annuellement le condenseur en l'aspirant et en le brossant. Vous accédez au condenseur par l'avant de l'appareil en enlevant la grille de plinthe (Voir la Figure 19). Ôtez les 2 vis qui maintiennent la grille de plinthe en place avec un tournevis Phillips. Le condenseur se trouve à 2-1/2" (6,4 cm) derrière la grille de plinthe sur le côté gauche de l'armoire. Nous recommandons d'utiliser une brosse de nettoyage de serpentin de réfrigérateur pour détacher la poussière et la saleté que vous aspirerez à la fin.

Assurez-vous que rien n'obstrue les ouvertures pour flux d'air requises à l'avant de l'armoire (Voir la page 4).

## Armoire

L'armoire peinte peut se laver avec une solution savonneuse douce, puis soigneusement se rincer à l'eau potable. N'utilisez JAMAIS de produits nettoyants abrasifs.

## Intérieur

Lavez le compartiment intérieur avec une solution savonneuse douce. N'utilisez pas de nettoyant abrasif, de solvant, de produit nettoyant/polissant ou de détergent non-dilué.

## Étagères

Les étagères peuvent se nettoyer avec une solution savonneuse douce et un chiffon doux. N'utilisez PAS de produits nettoyants abrasifs. Le verre peut s'enlever pour faciliter le nettoyage.

## Porte vitrée

Utilisez un produit à laver les vitres ou une solution savonneuse douce et un chiffon doux pour nettoyer le modèle à porte vitrée. N'utilisez PAS de produits nettoyants abrasifs.

## Joint de porte

Le joint en vinyle peut se nettoyer avec une solution savonneuse douce, une solution de bicarbonate de soude, ou une poudre décapante douce.

## Remplacement de l'ampoule d'éclairage

### ⚠ AVERTISSEMENT

DÉBRANCHEZ L'ALIMENTATION ÉLECTRIQUE AVANT D'ESSAYER DE REMPLACER L'AMPOULE D'ÉCLAIRAGE. Sinon vous risquez une commotion électrique qui peut vous blesser gravement.

Le 6GARM utilise une ampoule à incandescence de 15 watts pour éclairer l'intérieur du réfrigérateur pour boissons. Cette ampoule est un composant électrique très fiable, mais si son fonctionnement était défectueux, veuillez appeler le revendeur chez qui vous avez acheté votre réfrigérateur pour boissons pour obtenir une ampoule de remplacement. N'utilisez qu'une ampoule d'éclairage d'origine via votre revendeur ou AGA MARVEL.

### ⚠ AVERTISSEMENT

N'utilisez PAS, en aucun cas, une ampoule qui ferait plus de 15 watts!

Pour remplacer l'ampoule d'éclairage, débranchez l'alimentation électrique de l'appareil. Dévissez la vieille ampoule située derrière le logement d'affichage en haut de l'appareil. Mettez de côté cette vieille ampoule. Vissez l'ampoule neuve en place. Rebranchez l'alimentation électrique de l'appareil. Vérifiez le bon fonctionnement de l'ampoule d'éclairage pour terminer cette installation.

L'ampoule d'éclairage n'est pas couverte par la garantie. Une ampoule de remplacement peut être obtenue depuis votre revendeur ou chez AGA MARVEL.

## En cas de coupure du secteur

Si une panne d'alimentation arrivait, essayez de la corriger le plus tôt possible. Minimisez le nombre d'ouvertures de porte pendant la coupure du secteur afin de ne pas affecter la température dans l'appareil.

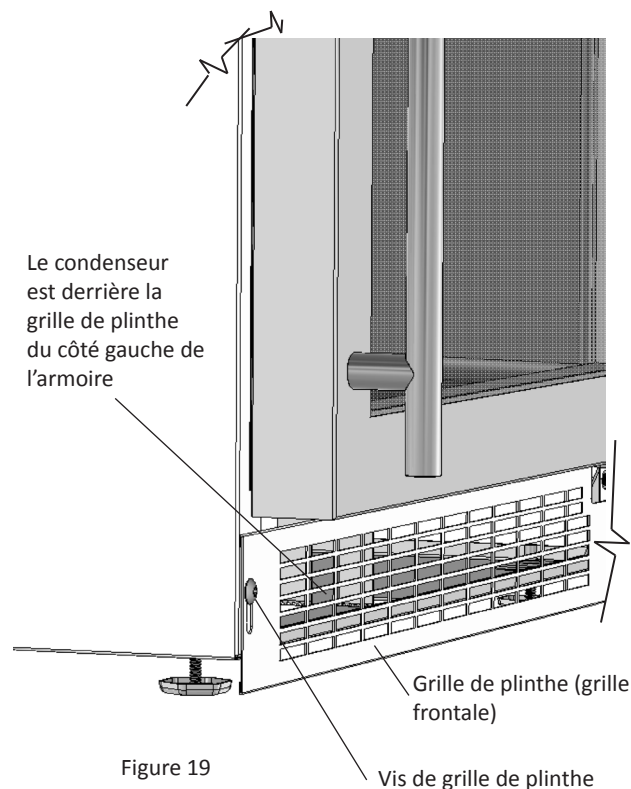


Figure 19

# DÉBALLAGE DE VOTRE RÉFRIGÉRATEUR À BOISSONS

## Avant d'appeler le service après-vente

Si l'appareil semble présenter un dysfonctionnement, commencez par bien relire son manuel. Si le problème persiste, consultez le guide de dépannage qui suit. Identifiez le problème dans ce guide et consultez les colonnes de causes et de remèdes avant d'appeler pour du service. Le problème peut être quelque chose de très simple qui peut se résoudre sans demander une intervention de service. Cependant, il peut être nécessaire de contacter votre revendeur ou un technicien de service qualifié.

## AVERTISSEMENT

**Risque d'électrocution** - Ne tentez jamais de réparer ou d'exécuter de la maintenance sur l'appareil avant que son alimentation électrique n'ait été débranchée en amont. Passer l'appareil sur arrêt (OFF) n'enlève pas la présence de tension secteur sur les fils de câblage.

Problème	Cause possible	Remède
L'appareil n'est pas assez froide Ajustez la température (Voir en page 6 le réglage de consigne)	<ul style="list-style-type: none"><li>Le contrôle a une consigne trop chaude.</li><li>La température du contenu n'est pas encore stabilisée.</li><li>Utilisation excessive ou ouvertures prolongées de la porte.</li><li>Blocage du flux d'air de la grille frontale.</li><li>Défaut d'étanchéité du joint de porte.</li></ul>	<ul style="list-style-type: none"><li>Régles la consigne de température plus bas. Laissez stabiliser la température 24 heures.</li><li>Laissez la température se stabiliser pendant au moins 24 heures.</li><li>Le flux d'air ne doit pas être obstrué à la grille frontale. Consultez les valeurs</li><li>Vérifiez l'alignement de porte et/ou changez le joint de porte.</li></ul>
L'appareil est trop froide Ajustez la température (Voir en page 6 le réglage de consigne)	<ul style="list-style-type: none"><li>Le contrôle a une consigne trop froide</li><li>Défaut d'étanchéité du joint de porte.</li></ul>	<ul style="list-style-type: none"><li>Régles la consigne de température plus haut (Voir la page 6 pour les instructions). Laissez stabiliser la température 24 heures.</li><li>Vérifiez l'alignement de porte et/ou changez le joint de porte.</li></ul>
Pas d'éclairage à l'intérieur	<ul style="list-style-type: none"><li>Ampoule d'éclairage défectueuse</li></ul>	<ul style="list-style-type: none"><li>Remplacez l'ampoule, voyez la procédure en page 14.</li></ul>
L'éclairage ne s'éteint pas quand la porte est fermée	<ul style="list-style-type: none"><li>La porte n'active pas l'interrupteur d'éclairage.</li><li>L'éclairage est activé.</li></ul>	<ul style="list-style-type: none"><li>L'appareil n'est pas de niveau, mettez-la d'aplomb (Voir en page 4 les pieds de mise à niveau).</li><li>Vérifiez si l'alignement de porte est correct, référez-vous aux instructions en page 9.</li><li>Coupez l'éclairage, et fermez la porte.</li></ul>
Bruit ou vibration	<ul style="list-style-type: none"><li>L'appareil n'est pas de niveau</li></ul>	<ul style="list-style-type: none"><li>Mettez-la d'aplomb (Voir en page 4 les pieds de mise à niveau).</li></ul>
L'appareil ne fonctionne pas.	<ul style="list-style-type: none"><li>L'appareil a été mise à l'arrêt.</li><li>Le cordon secteur n'est pas branché.</li><li>La prise secteur n'est pas alimentée.</li></ul>	<ul style="list-style-type: none"><li>Mettez en marche (ON) l'appareil. Consultez en page 6 le démarrage de votre réfrigérateur pour boissons.</li><li>Branchez le cordon secteur.</li><li>Vérifiez le circuit secteur de la maison.</li></ul>

## OBTENTION DE SERVICE

### Si du service est nécessaire :

- Si le produit est encore dans sa première année de garantie, veuillez contacter votre revendeur ou appelez le service à la clientèle d'AGA MARVEL au 800.223.3900 pour des instructions sur la façon de faire jouer la couverture sous garantie dans votre secteur.
- Si le produit est en dehors de la période de garantie de la première année, le service à la clientèle d'AGA MARVEL peut fournir des recommandations sur des centres de service desservant votre secteur. Une liste des centres de service agréés est également disponible sur le site [www.agamarvel.com](http://www.agamarvel.com) dans la section sur le service et l'assistance.
- Dans toute correspondance concernant le service, assurez-vous de fournir la référence de modèle, son numéro de série (situés sur la plaque signalétique de votre réfrigérateur pour boissons), ainsi que le justificatif d'achat.
- Essayez d'avoir des informations ou la description de la nature du problème, pendant combien de temps l'appareil a bien fonctionné, la température de la pièce, et tous renseignements additionnels qui peuvent être utiles pour accélérer la résolution du problème.
- Le Tableau C est fourni pour enregistrer les informations pertinentes sur votre produit, comme référence ultérieure.

Pour vos archives	
Date de l'achat	
Nom du revendeur	
Adresse du revendeur	
Ville du revendeur	
État/Province du revendeur	
Code ZIP du revendeur	
N° de série de l'appareil	
Référence de modèle de l'appareil	
Date d'envoi de la carte de garantie (à faire dans les 10 jours après l'achat)	

Tableau C

# GARANTIE DE PRODUIT À USAGE DOMESTIQUE

## Ensemble du produit

### Garantie limitée d'un an sur pièces et main-d'œuvre

La société AGA MARVEL garantit qu'elle fournira toutes les pièces nécessaires et la main-d'œuvre pour réparer ou remplacer au domicile ou au bureau de l'utilisateur final tout composant qui sera constaté être défectueux pour le matériel ou la main-d'œuvre, compte tenu des conditions et exclusions exposées plus bas, pour une période d'un an à compter de la date d'achat par l'utilisateur final.

### Période additionnelle de la deuxième à la cinquième année de garantie limitée sur les pièces uniquement

Durant les quatre années qui suivent l'expiration de la garantie limitée d'un an, AGA MARVEL va fournir des pièces de remplacement pour le système de réfrigération hermétiquement scellé, qui comprend compresseur, condenseur, déshydrateur, tubulure de connexion et évaporateur, qui sera constaté être défectueux quant au matériel ou à la main-d'œuvre, compte tenu des conditions et exclusions exposées plus bas.

Les garanties précédentes ne couvrent pas :

- Les frais d'expédition des pièces de remplacement ou des pièces défectueuses renvoyées.
- La formation du client ou les instructions sur la façon d'utiliser l'appareil.
- Toute perte de contenu du fait d'une panne du produit.
- Le déplacement ou l'installation du produit.

Les garanties précédentes ne couvrent pas non plus une panne de ce produit ou de ses composants qui serait due à :

- Le transport ou des dommages en résultant.
- L'utilisation commerciale ou une utilisation autre qu'à la maison ou dans un petit bureau.
- Installation incorrecte, mésusage, abus, accident ou altération, utilisation de câblage non conformes aux normes électriques, tensions trop fortes ou trop faibles, absence de fourniture de l'entretien nécessaire, ou toute utilisation non-raisonnable.

## Pièces ou service non fournis ou conçus par AGA MARVEL

Les garanties précédentes ne couvrent pas non plus :

- Si la facture d'origine, la date de livraison ou le N° de série ne peuvent pas être vérifiés.
- Si les pièces défectueuses ne sont pas renvoyées pour inspection si AGA MARVEL l'a demandé.
- Si l'équipement de réfrigération n'est plus la possession de l'acheteur utilisateur final d'origine.

Les garanties développées ici sont les seules garanties fournies par AGA MARVEL. Toutes les garanties implicites, incluant la garantie implicite de valeur marchande, sont limitées en durée à celle de ces garanties explicites. En aucun cas AGA MARVEL ne sera responsable pour des dommages annexes ou consécutifs ou des dépenses résultant d'une dérogation à ces garanties ou à toutes garanties, qu'elles soient explicites ou implicites.

Certaines provinces ne permettent pas l'exclusion ou la limitation des dommages consécutifs ou annexes, de ce fait l'exclusion ou la limitation qui précède peut ne pas s'appliquer à votre cas. Cette garantie vous donne des droits légaux spécifiques, qui varient d'une province à l'autre.

Aucune personne, firme ou société, n'est autorisée à donner d'autre garantie, ni à assumer toute autre obligation pour AGA MARVEL. Ces garanties ne s'appliquent qu'à des produits utilisés dans un des cinquante États des USA et le district de Columbia.

Pour faire jouer cette garantie, signalez tout défaut à :

### AGA MARVEL

1260 E. VanDeinse St.  
Greenville MI 48838

Téléphone: 800.223.3900

## REMARQUES

---

## REMARQUES

---



[www.agamarvel.com](http://www.agamarvel.com)

**AGA MARVEL**

1260 E. VanDeinse St.  
Greenville MI 48838

800.223.3900

41012375-CFR Rév. A  
4/5/2011

Toutes les spécifications et particularités du produit sont susceptibles de changer sans préavis. De telles révisions ne donnent pas de droit pour l'acheteur de bénéficier des changements, améliorations, ajouts, remplacements qui en découlent, ni de recevoir de compensation pour les produits précédemment achetés.